

Hawa Concepta for wooden folding/sliding doors

A new dimension in furniture design

With Hawa Concepta 25/30/40/50 doors can be pivoted by 90° and slid into the side of furniture cabinets or wall niches. This opens up completely new perspectives for walk-in closets, floor-to-ceiling constructions and other storage solutions. Because the doors stored away at the side only take up a minimal niche width in the cabinet interior. This solution also impresses with its intelligent technology. That way, it can cope with the majority of dimensions.





It fulfills creative design wishes with a wide range of design options, profiles and handles. And the Hawa Concepta doesn't throw you a curve during installation, either: Apart from drill holes for positioning and concealed hinges, no other processing is required, since the components are screwed to the intermediate panel and are accessible from the front at all times for adjustment.




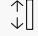

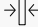
Area of application

Furniture constructions for multi-functional room usage such as working areas, washer/dryer combinations, cabinets which can be walked into without obstructions, and even entire kitchens which disappear behind pivot slide-in doors.

System advantages

-  **Flexibility** **Easy adaptation** for wide range of door dimensions
Can be combined with Hawa Folding Concepta to create three-leaf front panels without separating walls
-  **Productivity** **Efficient installation**, because all components are screwed to the intermediate panel
-  **Comfort** **No obstruction** by protruding doors
Guide with zero clearance and door pull-in with soft closing mechanism
Intermittent guide brushes for various door widths
-  **Aesthetics** Elegant **flush-fitting, floor-to-ceiling** and **walk-in** construction versions possible

Technical specifications

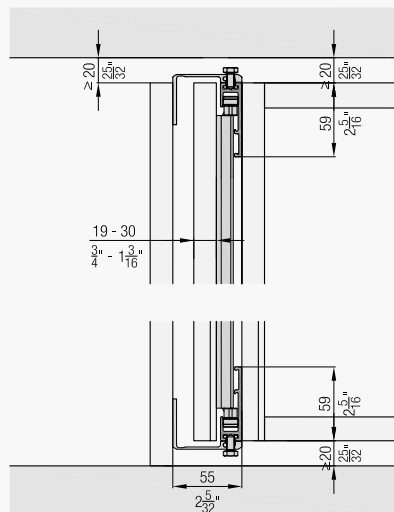
-  max. 25/30/40/50 kg
-  1250–2850 mm
-  300–900 mm
-  19–50 mm

Good to know (accessories)

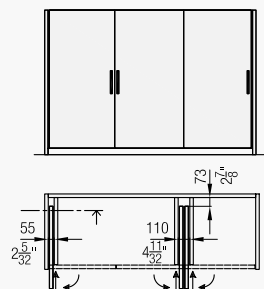
- Connector makes overlaid furniture structures possible
- Straightening fitting for doors

Installation examples

Hawa Concepta 25/30

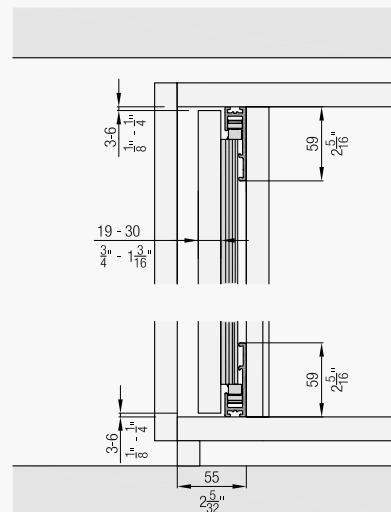


Door striking against the shelf and cabinet top

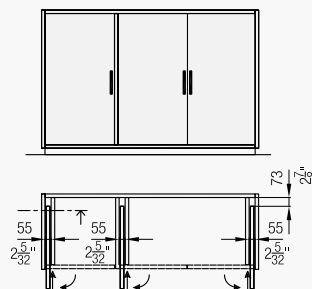


Product range
Hawa Concepta 25/30
Hawa Concepta 40/50

Hawa Concepta 25/30

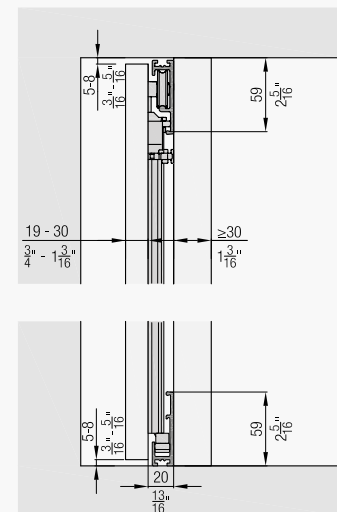


Inset door

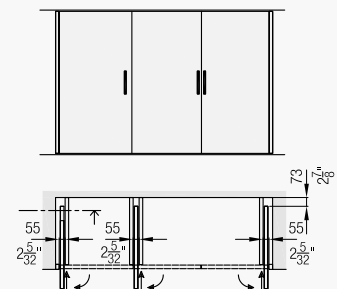


Hawa Concepta 25/30
Hawa Concepta 40/50

Hawa Concepta 25/30





Floor-to-ceiling door, walk-in






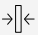
Hawa Concepta 25/30
Hawa Concepta 40/50

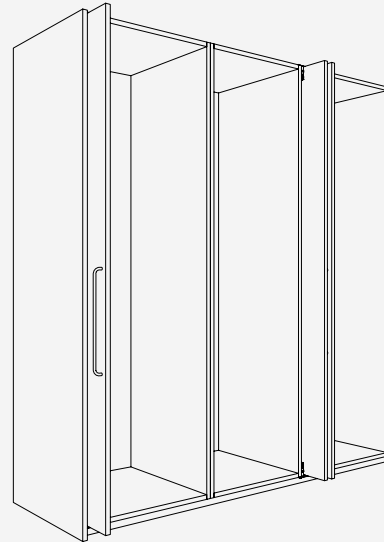
Fitting for pivoting and lateral sliding in of wooden doors up to 25 kg (55 lbs.). Enables multi-functional room design, paired with a flush-fitting design.

Product highlights

-  **Flexibility** Tremendous flexible door dimensions provides a high degree of design freedom
-  **Comfort** Easy, quiet operation thanks to soft closing mechanism and hinges with integrated soft closing mechanism

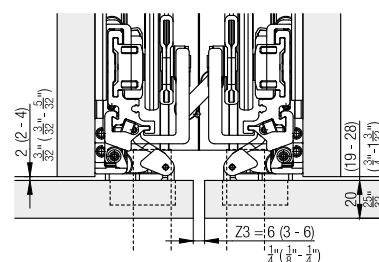
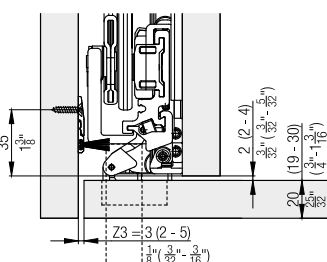
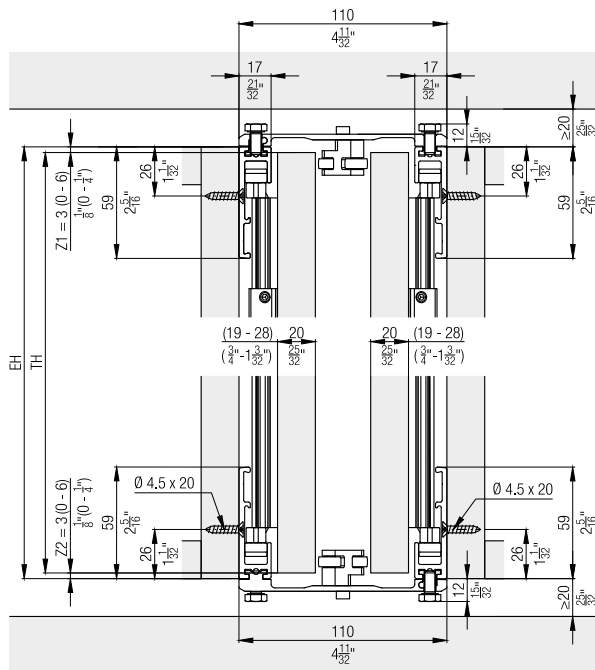
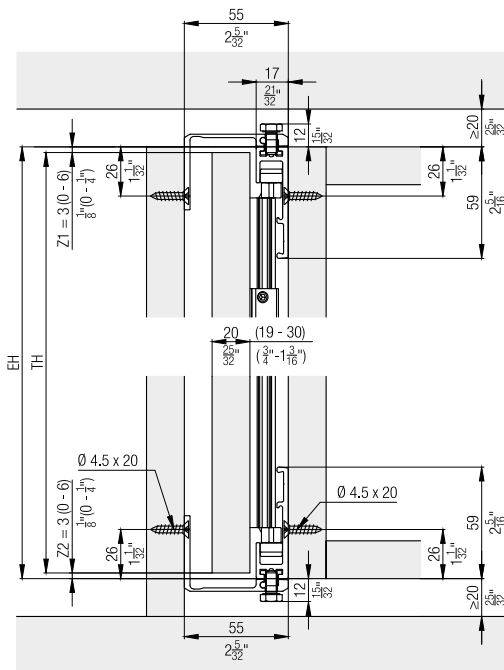
Technical specifications

-  Max. 10–25 kg (22 to 55 lbs.)
-  Max. 1250–1850 mm (4'1 7/32" to 6' 27/32")
-  Max. 300–750 mm (11 13/16" to 2'5 17/32")
-  19–50 mm (3/4" to 1 31/32")

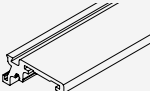
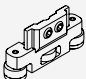
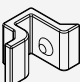



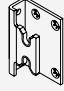
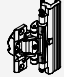

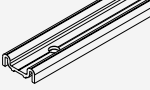




Installation examples

Door striking against the top and bottom cabinet sections

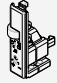
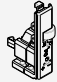

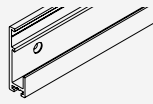
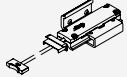

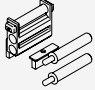

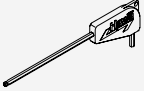
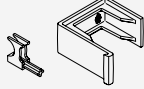


Set for 1 pivot /slide-in door up to 25 kg (55 lbs.)

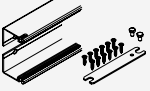
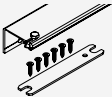
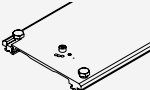
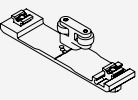
		No.	
Hawa Concepta 25, for 1 door		27648	
		27648	No.
Set consisting of:			
	Upright, 1800 mm (5'10 7/8"), aluminum, anodized	1	22055
	Upright guide, rattle proof, with plastic rollers	2	25656
	Torsion plate	1	27704
	Scissor action complete, 900 mm (2'11 7/16"), steel, galvanized	1	22592
	Front scissor guide, aluminum, anodized	1	25592
	Rear scissor guide, aluminum, anodized	1	25596
	Rear scissor bearing, 55 mm (2 5/32"), steel, galvanized	1	25855
	Concealed hinge with damper, nickel-plated, 3 pieces	1	27654
	Set of screws for concealed hinges, 4x16 mm (5/8"), set of 10 pieces	1	25935
	Spacer profile, 860 mm (2'9 27/32"), pre-drilled, plastic, black	1	22861
	Set of screws for spacer profile, PH 4x16 mm (5/8"), set of 7 pieces	1	25562
	Brush guide, plastic, black, set of 3 pieces	1	25815

Continued table on next column


Table continued from previous column

	Stop cover cap Hawa Concepta, depth adjustable, top left/bottom right	1	27657
	Stop cover cap Hawa Concepta, depth adjustable, top right/bottom left	1	27658
	Cover plates, stainless steel, 1 pair	1	24739
	Bottom guide channel, 728 mm (2'4 21/32"), aluminum, anodized, pre-drilled	2	24533
	Stop damper, with retaining bracket	1	24661
	Door retractor 25/50, with damper, plastic, black	1	25814
	Soft closing system for end position, with cover caps, plastic, black	1	25862
	Screw set, 4,5x20 mm (25/32"), set of 22 pieces	1	22451
	Allen key, with handle, 3 mm (1/8")	1	13164
	Installation aid, plastic, red	1	25816


Cabinet connecting profile

		mm (inch)	No.
	Connector 55 mm (2 5/32"), for one pivot/slide-in door, aluminum, plain anodized, 2 pieces	650 (2' 1 19/32")	25438
	Connector 55 mm (2 5/32"), for one pivot/slide-in door, aluminium, anodized, 1 piece	650 (2' 1 19/32")	23221
		900 (2' 11 7/16")	23222
	Connector 110 mm (4 11/32"), for two pivot/slide-in doors, aluminium, anodized, 1 piece	650 (2' 1 19/32")	23223
		900 (2' 11 7/16")	23224
	Connector 110 mm (4 11/32"), for two pivot/slide-in doors, aluminium, anodized, 1 piece (for installation in front of a fixed base)	26 (1 1/32")	23225

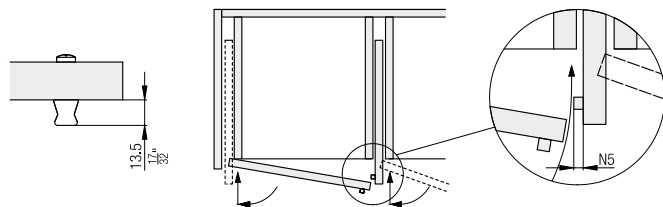
Guides

		No.
	Guide for two inset pivot sliding doors, aluminum	25680

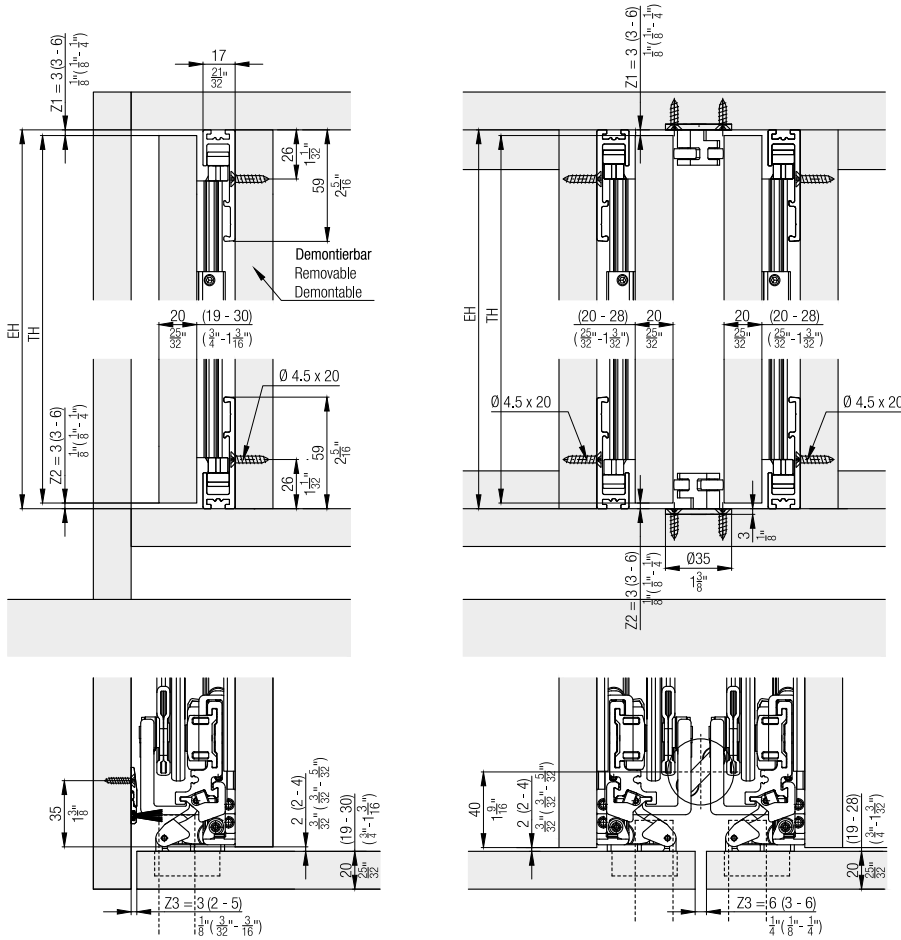
Door handles

		mm (inch)	No.
	Door handle, aluminum, anodized	400 (1' 3 3/4")	22692

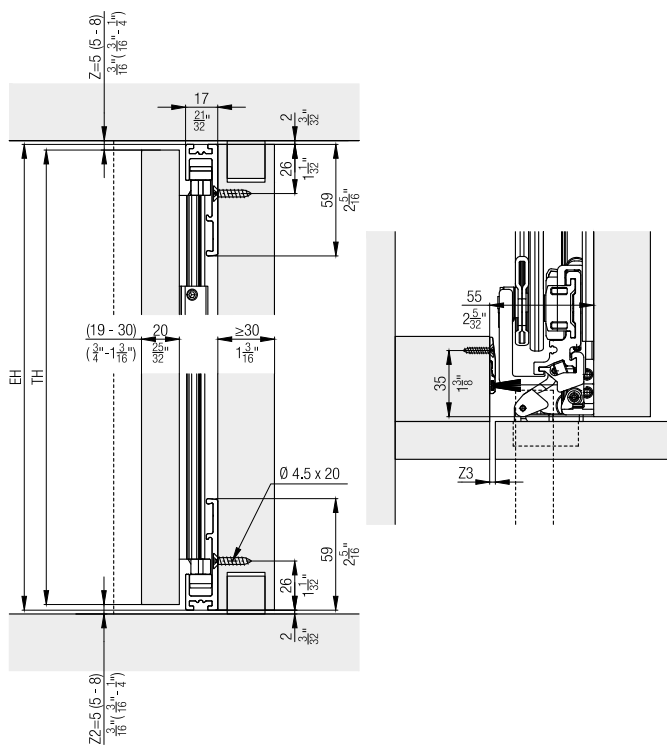
Door handle height



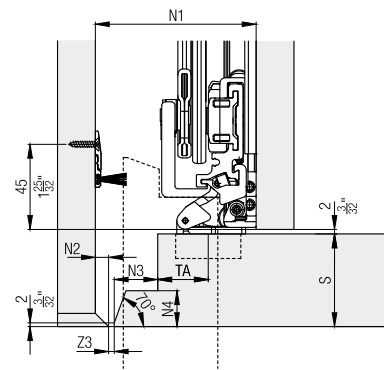
Further installation examples
Inset door



Door in wall niche



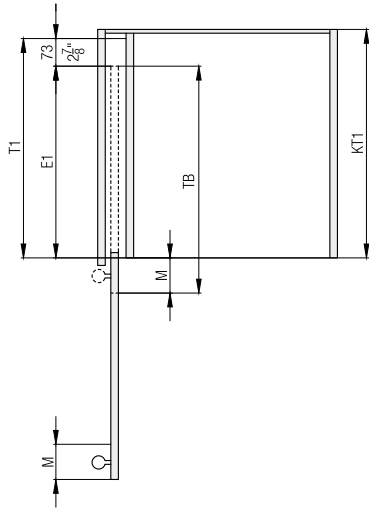
Door thickness 31–50 mm (1 7/32" to 1 31/32")



S	N1	N2	N3	N4
19-30 mm	55 mm	0 mm	0 mm	0 mm
33 mm	58 mm	0 mm	3 mm	3 mm
36 mm	63 mm	2 mm	6 mm	5 mm
39 mm	67 mm	3 mm	9 mm	8 mm
42 mm	70 mm	3 mm	12 mm	11 mm
45 mm	75 mm	5 mm	15 mm	14 mm
48 mm	79 mm	6 mm	18 mm	17 mm
50 mm	83 mm	7 mm	21 mm	19 mm

S	N1	N2	N3	N4
$\frac{3}{4}$ " - $1\frac{3}{16}$ "	$2\frac{3}{16}$ "	0	0	0
$1\frac{5}{16}$ "	$2\frac{9}{32}$ "	0	$\frac{1}{8}$ "	$\frac{1}{8}$ "
$1\frac{7}{16}$ "	$2\frac{1}{2}$ "	$\frac{3}{32}$ "	$\frac{1}{4}$ "	$\frac{7}{32}$ "
$1\frac{17}{32}$ "	$2\frac{21}{32}$ "	$\frac{1}{8}$ "	$\frac{3}{8}$ "	$\frac{5}{16}$ "
$1\frac{21}{32}$ "	$2\frac{3}{4}$ "	$\frac{1}{8}$ "	$\frac{15}{32}$ "	$\frac{7}{16}$ "
$1\frac{25}{32}$ "	$2\frac{31}{32}$ "	$\frac{7}{32}$ "	$\frac{19}{32}$ "	$\frac{9}{16}$ "
$1\frac{29}{32}$ "	$3\frac{1}{8}$ "	$\frac{1}{4}$ "	$\frac{23}{32}$ "	$\frac{11}{16}$ "
$1\frac{31}{32}$ "	$3\frac{9}{32}$ "	$\frac{9}{32}$ "	$\frac{27}{32}$ "	$\frac{3}{4}$ "

Fitting depth calculations



$$T1 = TB - M + 73 \text{ mm}$$

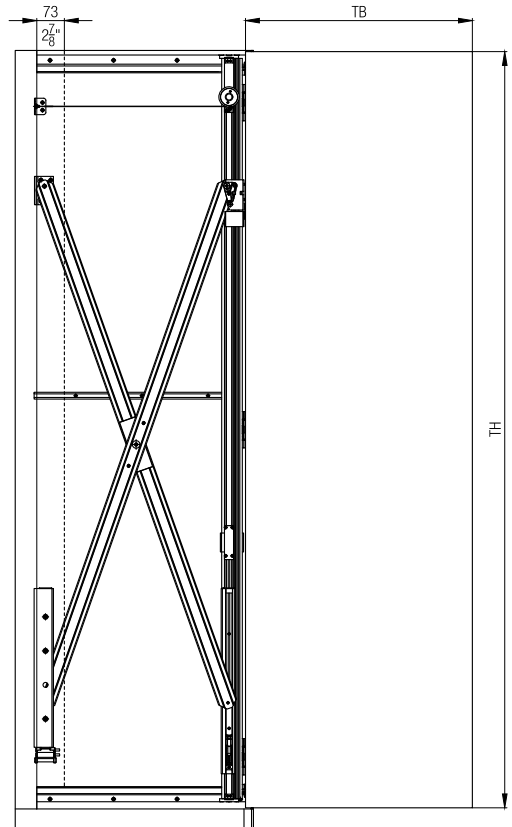
$$E1 = T1 - 73 \text{ mm}$$

$$T1 = TB - M + 2\frac{7}{8}''$$

$$E1 = T1 - 2\frac{7}{8}''$$

	T1	TH	E1
Hawa Concepta 25	≤ 650 mm	1250 - 1850 mm	300 - 577 mm

	T1	TH	E1
Hawa Concepta 25	≤ 2' 1 ¹⁹ / ₃₂ "	4' 1 ⁷ / ₃₂ " - 6' 0 ²⁷ / ₃₂ "	11 ¹³ / ₁₆ " - 1' 10 ²³ / ₃₂ "



Weight and door size ratio calculations

The maximum weight must be adapted depending on the door size ratio.

TH \ TB	300	350	400	450	500	550	600	650	700	750
1850	25	25	25	25	25	25	25	24	23	22
1800	25	25	25	25	25	25	25	23	22	21
1750	25	25	25	25	25	25	24	22	21	21
1700	25	25	25	25	25	25	24	21	21	20
1650	25	25	25	25	25	25	23	21	20	19
1600	25	25	25	25	25	24	22	20	19	18
1550	25	25	25	25	25	24	21	19	18	18
1500	25	25	25	25	25	23	21	18	18	17
1450	25	25	25	25	24	22	20	18	17	16
1400	25	25	25	25	24	21	19	17	16	15
1350	25	25	25	24	23	21	18	19	16	15
1300	25	25	25	24	22	20	18	15	15	14
1250	25	25	24	23	21	19	17	15	14	13

Door weight in kg | TB = Door width in mm | TH = Door height in mm

Accessories

– Straightening fitting from page 236



Planning/execution

Configure with just a few clicks on www.concepta.hawa.com

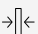
Further information about the product can be found on www.hawa.com.

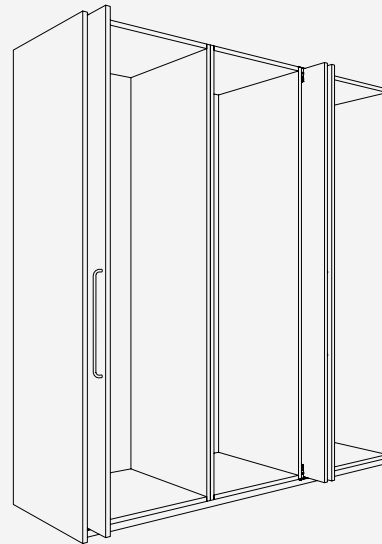
Fitting for pivoting and lateral sliding in of wooden doors up to 30 kg (66 lbs.). Enables multi-functional room design, paired with a flush-fitting design.

Product highlights

-  **Flexibility** Tremendous flexible door dimensions provides a high degree of design freedom
-  **Comfort** Easy, quiet operation thanks to soft closing mechanism and hinges with integrated soft closing mechanism

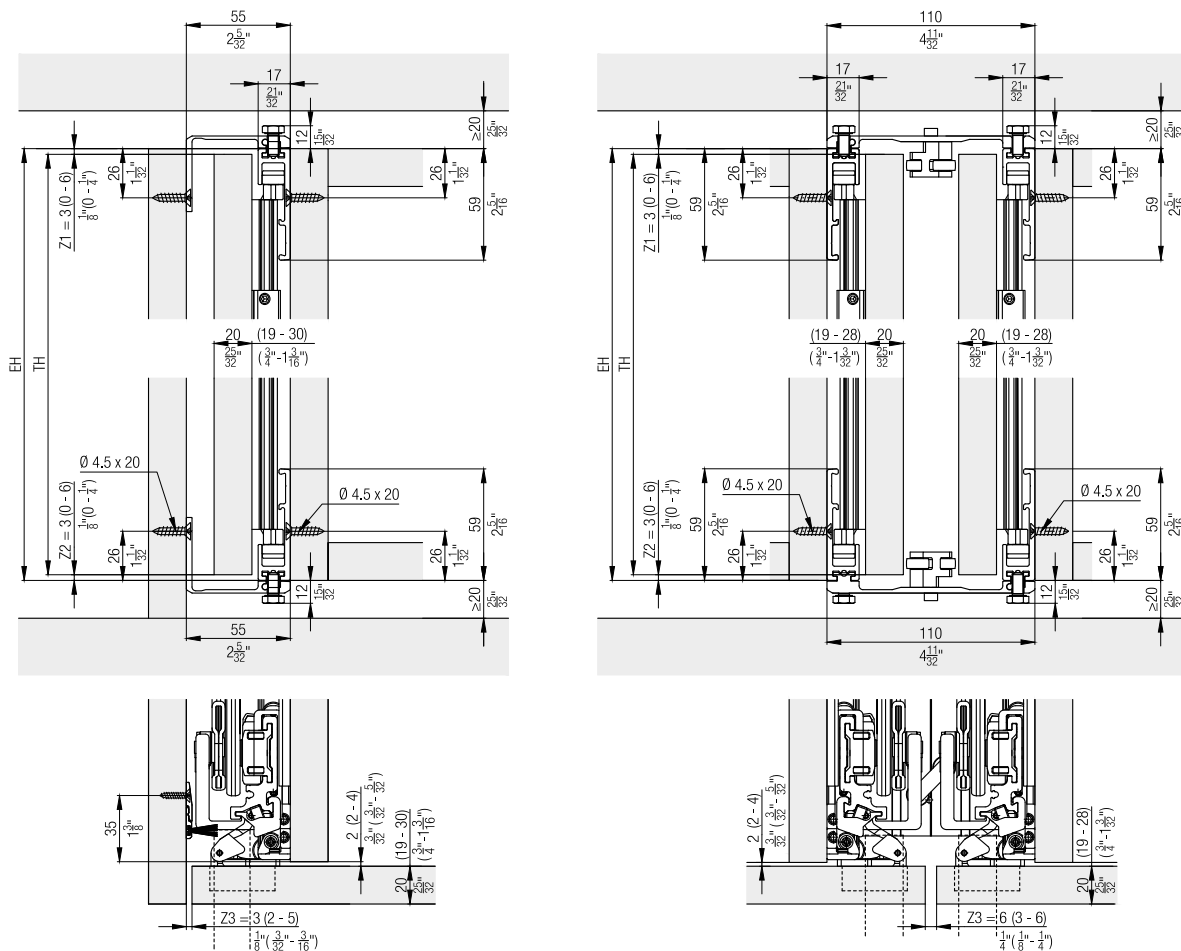
Technical specifications

-  Max. 15-30 kg (33 to 66 lbs.)
-  Max. 1851-2300 mm (6' 7/8" to 7'6 9/16")
-  Max. 300-900 mm (11 13/16" to 2'11 7/16")
-  19-50 mm (3/4" to 1 31/32")

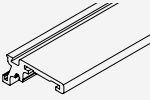
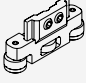
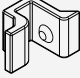



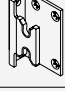
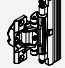

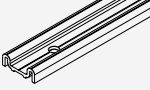




Installation examples

Door striking against the top and bottom cabinet sections

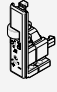
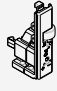
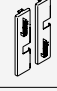

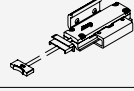
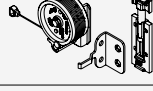
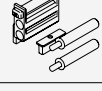
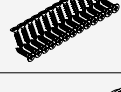
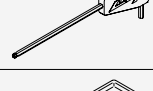



Set for 1 pivot /slide-in door up to 30 kg (66 lbs.)

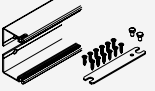
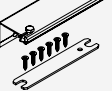

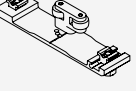
		No.	
Hawa Concepta 30, for 1 door		27649	
		27649	No.
Set consisting of:			
	Upright, 2300 mm (7'6 9/16"), aluminum, anodized	1	24699
	Upright guide, rattle proof, with plastic rollers	2	25656
	Torsion plate	1	27704
	Scissor action, complete, galvanized steel	1	22593
	Front scissor guide, aluminum, anodized	1	25592
	Rear scissor guide, aluminum, anodized	1	25596
	Rear scissor bearing, 55 mm (2 5/32"), steel, galvanized	1	25855
	Concealed hinge with damper, nickel-plated, 3 pieces	1	27654
	Set of screws for concealed hinges, 4x16 mm (5/8"), set of 10 pieces	1	25935
	Spacer profile, 860 mm (2'9 27/32"), pre-drilled, plastic, black	1	22861
	Set of screws for spacer profile, PH 4x16 mm (5/8"), set of 7 pieces	1	25562
	Brush guide, plastic, black, set of 3 pieces	1	25815

Continued table on next column


Table continued from previous column

	Stop cover cap Hawa Concepta, depth adjustable, top left/bottom right	1	27657
	Stop cover cap Hawa Concepta, depth adjustable, top right/bottom left	1	27658
	Cover plates, stainless steel, 1 pair	1	24739
	Bottom guide channel, 896 mm (2'11 9/32"), aluminium, anodized, pre-drilled	2	24535
	Stop damper, with retaining bracket	1	24660
	Door retractor 30/40, with damper, plastic, black	1	25813
	Soft closing system for end position, with cover caps, plastic, black	1	25862
	Screw set, 4,5x20 mm (25/32"), set of 22 pieces	1	22451
	Allen key, with handle, 3 mm (1/8")	1	13164
	Installation aid, plastic, red	1	25816


Cabinet connecting profile

		mm (inch)	No.
	Connector 55 mm (2 5/32"), for one pivot/slide-in door, aluminum, plain anodized, 2 pieces	650 (2' 1 19/32")	25438
	Connector 55 mm (2 5/32"), for one pivot/slide-in door, aluminium, anodized, 1 piece	650 (2' 1 19/32")	23221
		900 (2' 11 7/16")	23222
	Connector 110 mm (4 11/32"), for two pivot/slide-in doors, aluminium, anodized, 1 piece	650 (2' 1 19/32")	23223
		900 (2' 11 7/16")	23224
	Connector 110 mm (4 11/32"), for two pivot/slide-in doors, aluminium, anodized, 1 piece (for installation in front of a fixed base)	26 (1 1/32")	23225

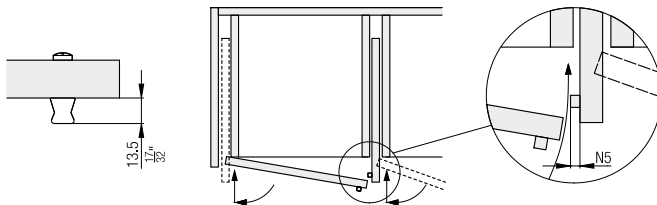
Guides

		No.
	Guide for two inset pivot sliding doors, aluminum	25680

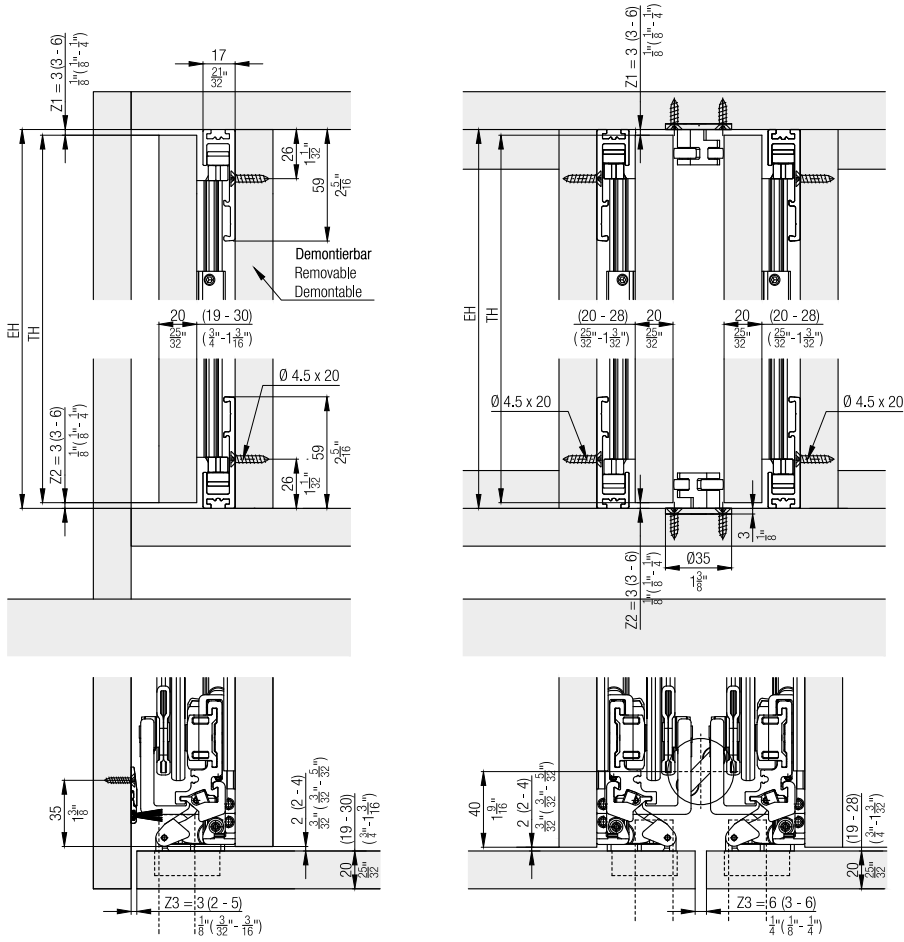
Door handles

		mm (inch)	No.
	Door handle, aluminum, anodized	400 (1' 3 3/4")	22692

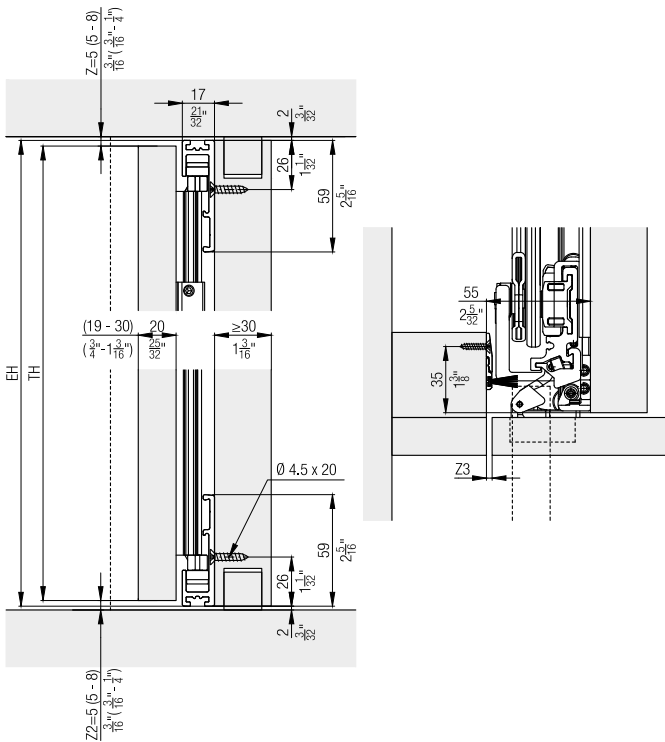
Door handle height



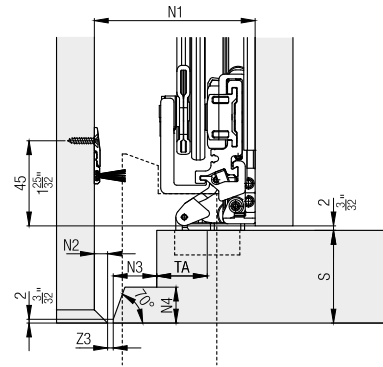
Further installation examples
Inset door



Door in wall niche



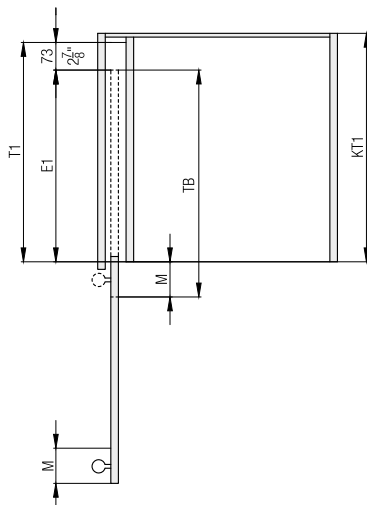
Door thickness 31–50 mm (1 7/32" to 1 31/32")



S	N1	N2	N3	N4
19-30 mm	55 mm	0 mm	0 mm	0 mm
33 mm	58 mm	0 mm	3 mm	3 mm
36 mm	63 mm	2 mm	6 mm	5 mm
39 mm	67 mm	3 mm	9 mm	8 mm
42 mm	70 mm	3 mm	12 mm	11 mm
45 mm	75 mm	5 mm	15 mm	14 mm
48 mm	79 mm	6 mm	18 mm	17 mm
50 mm	83 mm	7 mm	21 mm	19 mm

S	N1	N2	N3	N4
3/4" - 1 3/16"	2 3/16"	0	0	0
1 5/16"	2 9/32"	0	1/8"	1/8"
1 7/16"	2 1/4"	3/32"	1/4"	7/32"
1 17/32"	2 21/32"	1/8"	3/8"	5/16"
1 21/32"	2 3/4"	1/8"	15/32"	7/16"
1 25/32"	2 31/32"	7/32"	19/32"	9/16"
1 29/32"	3 1/8"	1/4"	23/32"	11/16"
1 31/32"	3 9/32"	9/32"	27/32"	3/4"

Fitting depth calculations



$$T1 = TB - M + 73 \text{ mm}$$

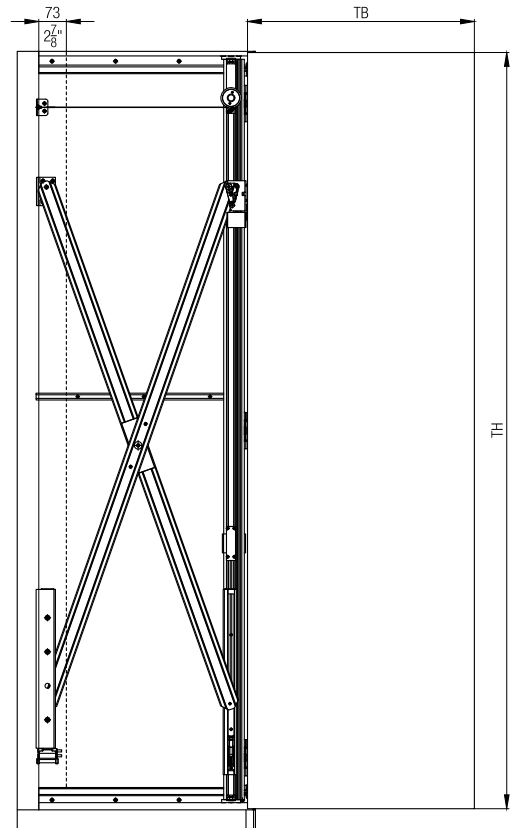
$$E1 = T1 - 73 \text{ mm}$$

$$T1 = TB - M + 2\frac{7}{8}''$$

$$E1 = T1 - 2\frac{7}{8}''$$

	T1	TH	E1
Hawa Concepta 30	≤ 900 mm	1851 - 2300 mm	300 - 827 mm

	T1	TH	E1
Hawa Concepta 30	≤ 2' 11 $\frac{7}{16}$ "	6' 0 $\frac{7}{8}$ " - 7' 6 $\frac{9}{16}$ "	11 $\frac{13}{16}$ " - 2' 8 $\frac{9}{16}$ "



Weight and door size ratio calculations

The maximum weight must be adapted depending on the door size ratio.

TH \ TB	300	350	400	450	500	550	600	650	700	750	800	850	900
2300	30	30	30	30	30	30	30	30	30	30	29	27	26
2250	30	30	30	30	30	30	30	30	30	30	28	27	25
2200	30	30	30	30	30	30	30	30	30	29	27	26	24
2150	30	30	30	30	30	30	30	30	30	29	27	25	24
2100	30	30	30	30	30	30	30	30	30	28	26	25	23
2050	30	30	30	30	30	30	30	30	29	27	25	24	23
2000	30	30	30	30	30	30	30	30	29	26	25	23	22
1950	30	30	30	30	30	30	30	29	27	26	24	23	21
1900	30	30	30	30	30	30	30	29	27	25	23	22	21
1851	30	30	30	30	30	30	30	28	26	24	23	21	20

Door weight in kg | TB = Door width in mm | TH = Door height in mm

Accessories

– Straightening fitting from page 236



Planning/execution

Configure with just a few clicks on www.concepta.hawa.com




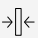
Further information about the product can be found on www.hawa.com.

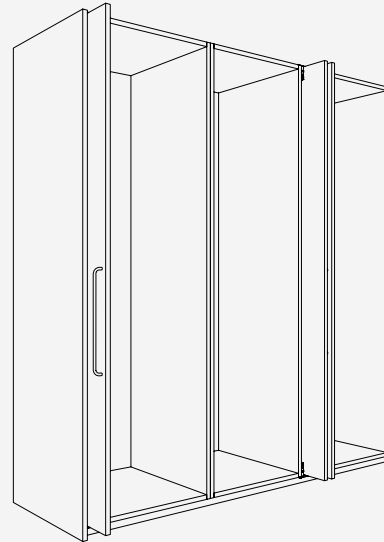
Fitting for pivoting and lateral sliding in of wooden doors up to 40 kg (88 lbs.). Enables multi-functional room design, paired with a flush-fitting design.

Product highlights

-  **Flexibility** Tremendous flexible door dimensions provides a high degree of design freedom
-  **Comfort** Easy, quiet operation thanks to soft closing mechanism and hinges with integrated soft closing mechanism

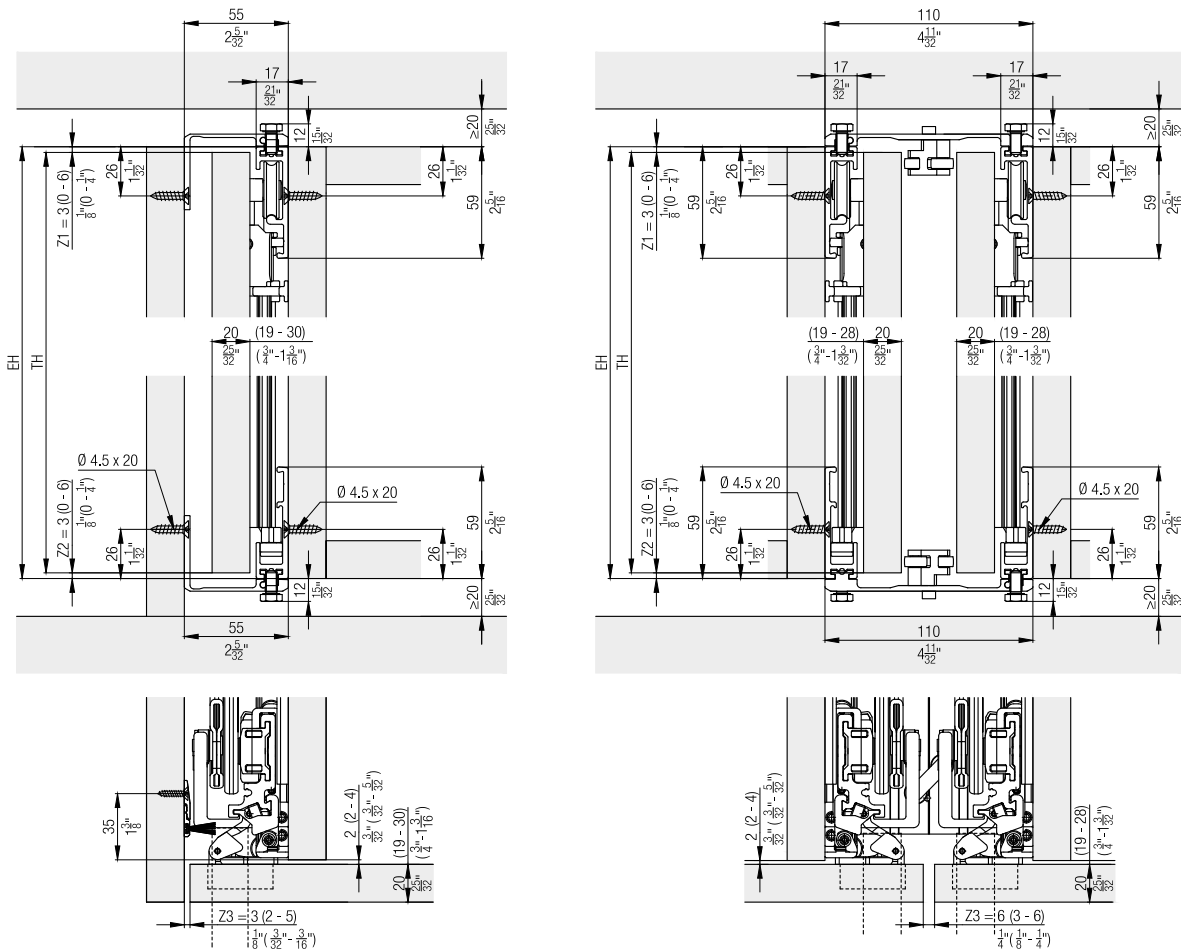
Technical specifications

-  Max. 20–40 kg (44 to 88 lbs.)
-  Max. 1851–2500 mm (6' 7/8" to 8'2 7/16")
-  Max. 300–900 mm (11 13/16" to 2'11 7/16")
-  19–50 mm (3/4" to 1 31/32")



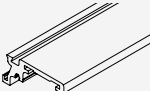

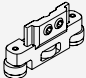



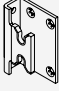
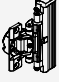

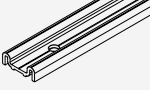


Installation examples

Door striking against the top and bottom cabinet sections




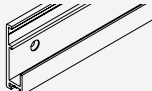
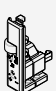
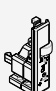
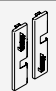
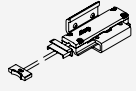
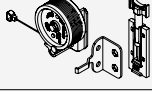
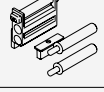
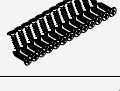
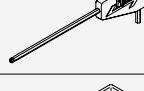

Set for 1 pivot /slide-in door up to 40 kg (88 lbs.)

Hawa Concepta 40, for 1 door	No. 27650
------------------------------	--------------

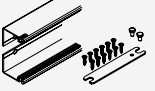
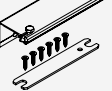

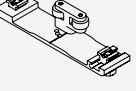
Set consisting of:		27650	No.
	Upright, 2500 mm (8'2 7/16"), aluminum, anodized	1	22056
	Two-wheeled running gear, height-adjustable, with torsion plate, zinc-plated matt	1	24955
	Upright guide, rattle proof, with plastic rollers	1	25656
	Scissor action complete, 1500 mm (4'11 1/16"), steel, galvanized	1	22594
	Front scissor guide, aluminum, anodized	1	25592
	Rear scissor guide, aluminum, anodized	1	25596
	Rear scissor bearing, 55 mm (2 5/32"), steel, galvanized	1	25855
	Concealed hinge with damper, nickel-plated, 4 pieces	1	27655
	Set of screws for concealed hinges, 4x16 mm (5/8"), set of 10 pieces	1	25935
	Spacer profile, 860 mm (2'9 27/32"), pre-drilled, plastic, black	1	22861
	Set of screws for spacer profile, PH 4x16 mm (5/8"), set of 7 pieces	1	25562
	Brush guide, plastic, black, set of 3 pieces	1	25815

Continued table on next column


Table continued from previous column

	Running track, 896 mm (2'11 9/32"), aluminium, anodized, pre-drilled	1	24528
	Bottom guide channel, 896 mm (2'11 9/32"), aluminium, anodized, pre-drilled	1	24535
	Stop cover cap Hawa Concepta, depth adjustable, top left/bottom right	1	27657
	Stop cover cap Hawa Concepta, depth adjustable, top right/bottom left	1	27658
	Cover plates, stainless steel, 1 pair	1	24739
	Stop damper, with retaining bracket	1	24660
	Door retractor 30/40, with damper, plastic, black	1	25813
	Soft closing system for end position, with cover caps, plastic, black	1	25862
	Screw set, 4,5x20 mm (25/32"), set of 22 pieces	1	22451
	Allen key, with handle, 3 mm (1/8")	1	13164
	Installation aid, plastic, red	1	25816


Cabinet connecting profile

		mm (inch)	No.
	Connector 55 mm (2 5/32"), for one pivot/slide-in door, aluminum, plain anodized, 2 pieces	650 (2' 1 19/32")	25438
	Connector 55 mm (2 5/32"), for one pivot/slide-in door, aluminium, anodized, 1 piece	650 (2' 1 19/32")	23221
		900 (2' 11 7/16")	23222
	Connector 110 mm (4 11/32"), for two pivot/slide-in doors, aluminium, anodized, 1 piece	650 (2' 1 19/32")	23223
		900 (2' 11 7/16")	23224
	Connector 110 mm (4 11/32"), for two pivot/slide-in doors, aluminium, anodized, 1 piece (for installation in front of a fixed base)	26 (1 1/32")	23225

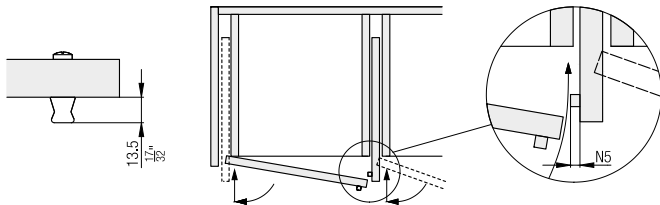
Guides

		No.
	Guide for two inset pivot sliding doors, aluminum	25680

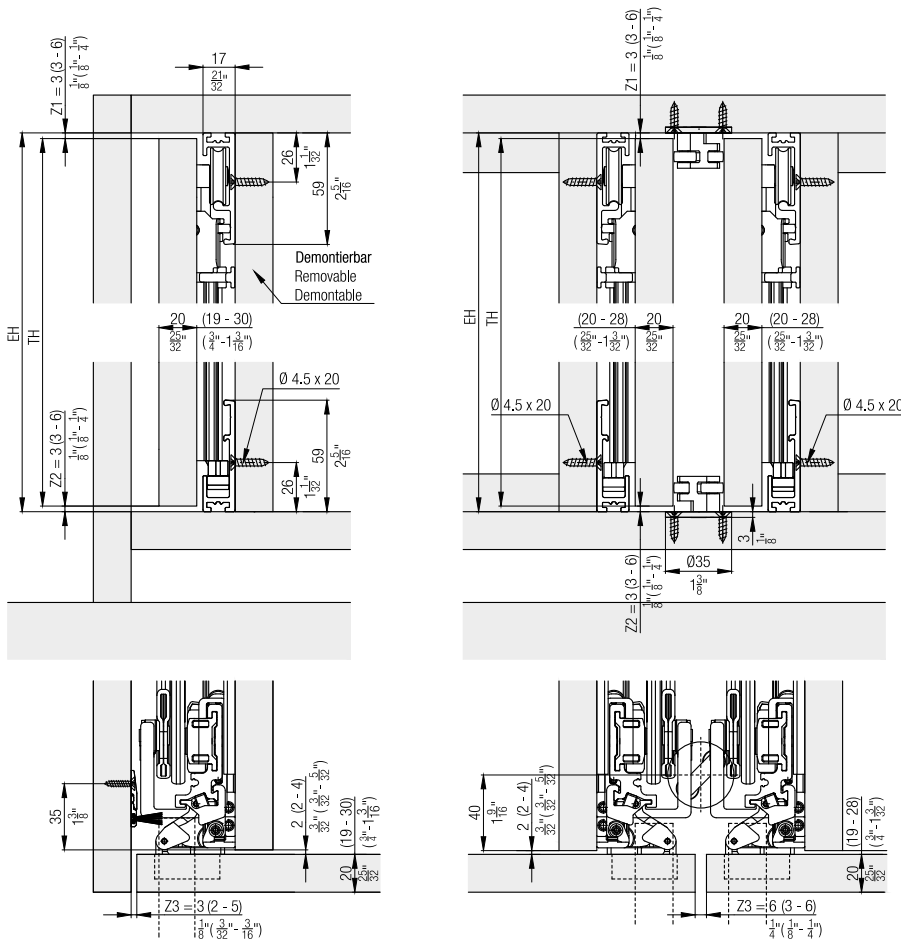
Door handles

		mm (inch)	No.
	Door handle, aluminum, anodized	400 (1' 3 3/4")	22692

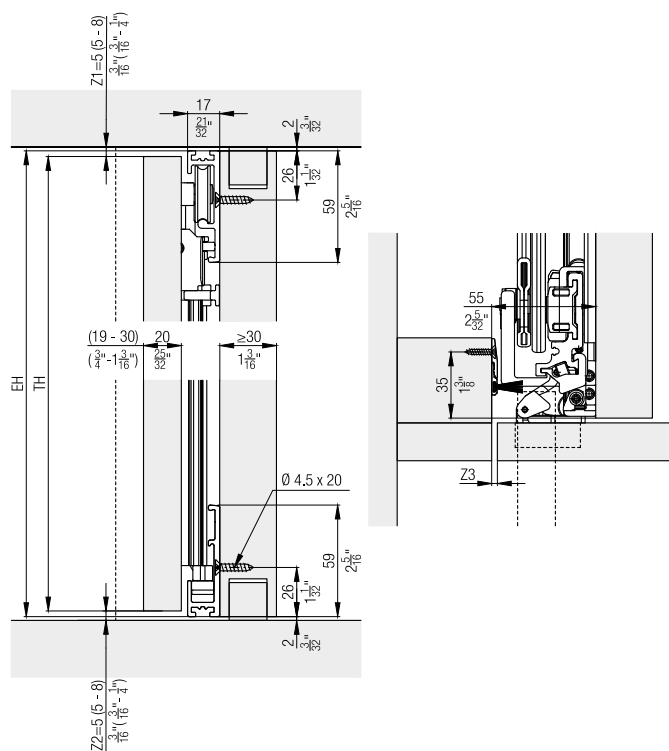
Door handle height



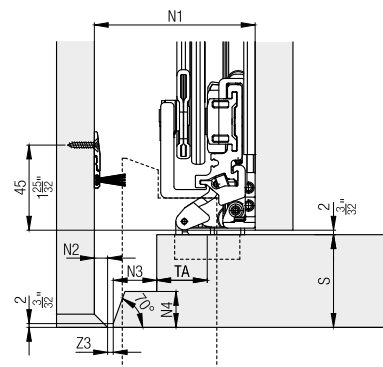
Further installation examples
Inset door



Door in wall niche



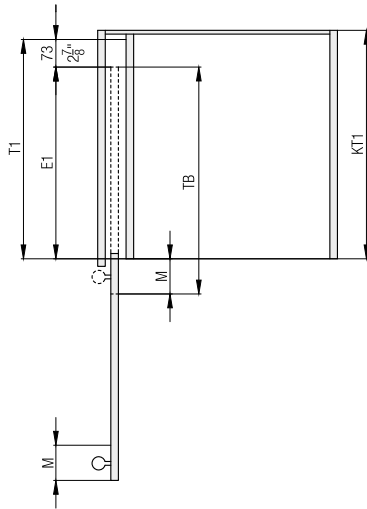
Door thickness 31-50 mm (1 7/32" to 1 31/32")



S	N1	N2	N3	N4
19-30 mm	55 mm	0 mm	0 mm	0 mm
33 mm	58 mm	0 mm	3 mm	3 mm
36 mm	63 mm	2 mm	6 mm	5 mm
39 mm	67 mm	3 mm	9 mm	8 mm
42 mm	70 mm	3 mm	12 mm	11 mm
45 mm	75 mm	5 mm	15 mm	14 mm
48 mm	79 mm	6 mm	18 mm	17 mm
50 mm	83 mm	7 mm	21 mm	19 mm

S	N1	N2	N3	N4
3/4" - 1 3/16"	2 3/16"	0	0	0
1 5/16"	2 9/32"	0	1/8"	1/8"
1 7/16"	2 1/2"	3/32"	1/4"	7/32"
1 17/32"	2 21/32"	1/8"	3/8"	5/16"
1 21/32"	2 4"	1/8"	15/32"	7/16"
1 25/32"	2 31/32"	7/32"	19/32"	9/16"
1 29/32"	3 1/8"	1"	23/32"	11/16"
1 31/32"	3 9/32"	9/32"	27/32"	3/4"

Fitting depth calculations



$$T1 = TB - M + 73 \text{ mm}$$

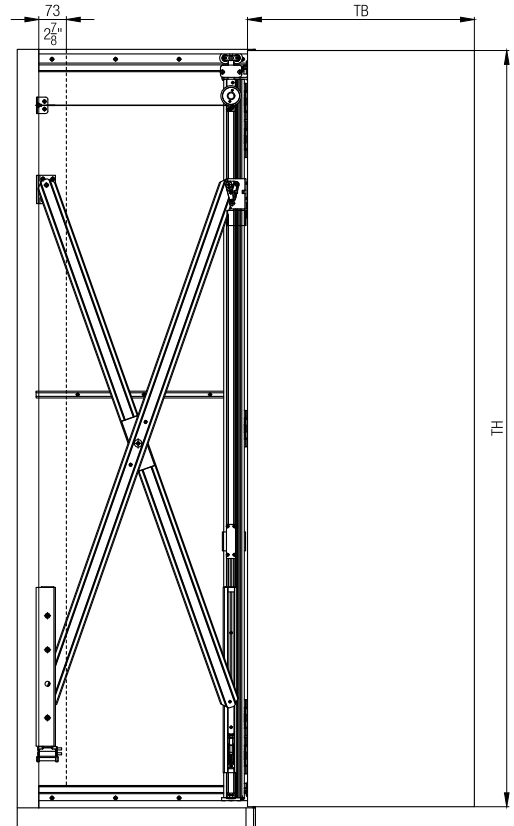
$$E1 = T1 - 73 \text{ mm}$$

$$T1 = TB - M + 2\frac{7}{8}''$$

$$E1 = T1 - 2\frac{7}{8}''$$

	T1	TH	E1
Hawa Concepta 40	≤ 900 mm	1851 - 2500 mm	300 - 827 mm

	T1	TH	E1
Hawa Concepta 40	≤ 2' 11 $\frac{7}{16}$ "	6' 0 $\frac{7}{8}$ " - 8' 2 $\frac{7}{16}$ "	11 $\frac{13}{16}$ " - 2' 8 $\frac{9}{16}$ "



Weight and door size ratio calculations

The maximum weight must be adapted depending on the door size ratio.

TH \ TB	300	350	400	450	500	550	600	650	700	750	800	850	900
2500	40	40	40	40	40	40	40	40	40	37	34	32	31
2450	40	40	40	40	40	40	40	40	39	36	34	32	30
2400	40	40	40	40	40	40	40	40	38	35	33	31	29
2350	40	40	40	40	40	40	40	40	37	34	32	30	29
2300	40	40	40	40	40	40	40	39	36	33	31	30	28
2250	40	40	40	40	40	40	40	38	35	33	31	29	27
2200	40	40	40	40	40	40	40	37	34	32	30	28	27
2150	40	40	40	40	40	40	39	36	33	31	29	27	26
2100	40	40	40	40	40	40	38	35	32	31	28	27	25
2050	40	40	40	40	40	40	37	34	31	30	28	26	24
2000	40	40	40	40	40	39	36	33	31	29	27	25	24
1950	40	40	40	40	40	38	35	32	30	28	26	24	23
1900	40	40	40	40	40	37	34	31	29	27	25	24	22
1851	40	40	40	40	39	36	33	30	28	26	24	23	22

Door weight in kg | TB = Door width in mm | TH = Door height in mm

Accessories

– Straightening fitting from page 236



Planning/execution

Configure with just a few clicks on www.concepta.hawa.com




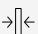
Further information about the product can be found on www.hawa.com.

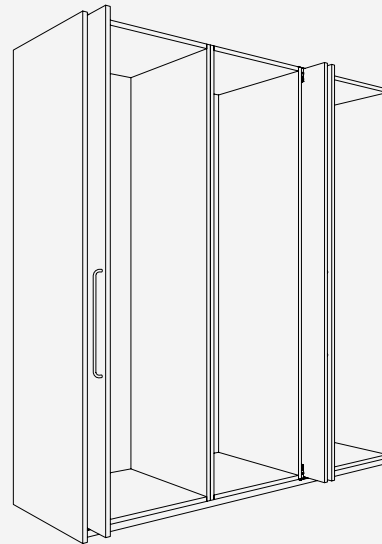
Fitting for pivoting and lateral sliding in of wooden doors up to 50 kg (110 lbs.). Enables multi-functional room design, paired with a flush-fitting design.

Product highlights

-  **Flexibility** Tremendous flexible door dimensions provides a high degree of design freedom
-  **Comfort** Easy, quiet operation thanks to soft closing mechanism and hinges with integrated soft closing mechanism

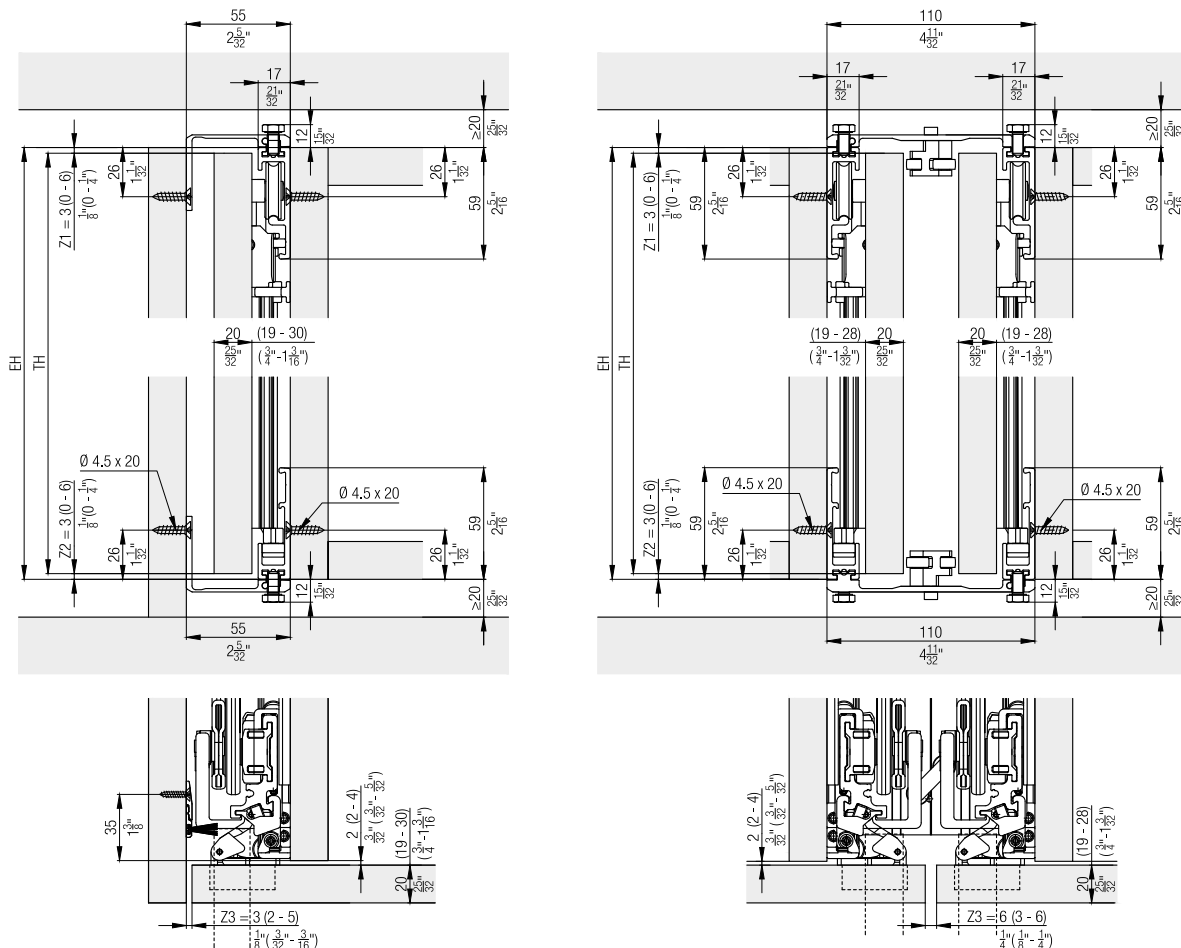
Technical specifications

-  Max. 25--50 kg (55 to 110 lbs.)
-  Max. 2301-2850 mm (7'6 19/32" to 9'4 7/32")
-  Max. 300-900 mm (11 13/16" to 2'11 7/16")
-  19-50 mm (3/4" to 1 31/32")

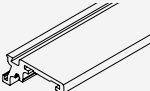

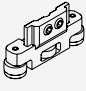





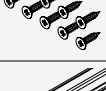
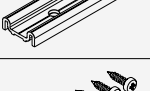
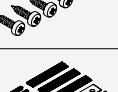
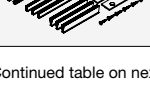


Installation examples

Door striking against the top and bottom cabinet sections

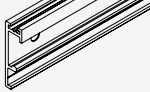

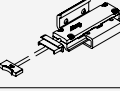


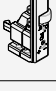

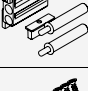
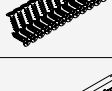

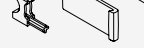


Set for 1 pivot /slide-in door up to 50 kg (110 lbs.)

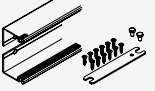
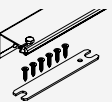

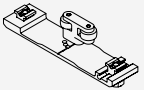
Hawa Concepta 50, for 1 door		No.	
		27651	
Set consisting of:		27651	No.
	Upright, 2760 mm (9' 21/32"), aluminium, anodized	1	22057
	Two-wheeled running gear, height-adjustable, with torsion plate, zinc-plated matt	1	24955
	Upright guide, rattle proof, with plastic rollers	1	25656
	Scissor action complete, 1500 mm (4'11 1/16"), steel, galvanized	1	22594
	Front scissor guide, aluminum, anodized	1	25592
	Rear scissor guide, aluminum, anodized	1	25596
	Rear scissor bearing, 55 mm (2 5/32"), steel, galvanized	1	25855
	Concealed hinge with damper, nickel-plated, 5 pieces	1	27656
	Set of screws for concealed hinges, 4x16 mm (5/8"), set of 10 pieces	1	25935
	Spacer profile, 860 mm (2'9 27/32"), pre-drilled, plastic, black	1	22861
	Set of screws for spacer profile, PH 4x16 mm (5/8"), set of 7 pieces	1	25562
	Brush guide, plastic, black, set of 3 pieces	1	25815

Continued table on next column


Table continued from previous column

	Running track, 896 mm (2'11 9/32"), aluminium, anodized, pre-drilled	1	24528
	Bottom guide channel, 896 mm (2'11 9/32"), aluminium, anodized, pre-drilled	1	24535
	Stop damper, with retaining bracket	1	24660
	Door retractor 25/50, with damper, plastic, black	1	25814
	Stop cover cap Hawa Concepta, depth adjustable, top left/bottom right	1	27657
	Stop cover cap Hawa Concepta, depth adjustable, top right/bottom left	1	27658
	Cover plates, stainless steel, 1 pair	1	24739
	Soft closing system for end position, with cover caps, plastic, black	1	25862
	Screw set, 4,5x20 mm (25/32"), set of 22 pieces	1	22451
	Allen key, with handle, 3 mm (1/8")	1	13164
	Installation aid, plastic, red	1	25816


Cabinet connecting profile

		mm (inch)	No.
	Connector 55 mm (2 5/32"), for one pivot/slide-in door, aluminum, plain anodized, 2 pieces	650 (2' 1 19/32")	25438
	Connector 55 mm (2 5/32"), for one pivot/slide-in door, aluminium, anodized, 1 piece	650 (2' 1 19/32")	23221
		900 (2' 11 7/16")	23222
	Connector 110 mm (4 11/32"), for two pivot/slide-in doors, aluminium, anodized, 1 piece	650 (2' 1 19/32")	23223
		900 (2' 11 7/16")	23224
	Connector 110 mm (4 11/32"), for two pivot/slide-in doors, aluminium, anodized, 1 piece (for installation in front of a fixed base)	26 (1 1/32")	23225

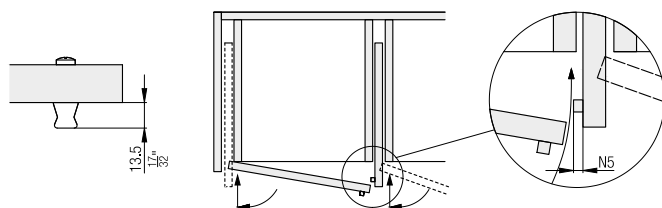
Guides

		No.
	Guide for two inset pivot sliding doors, aluminum	25680

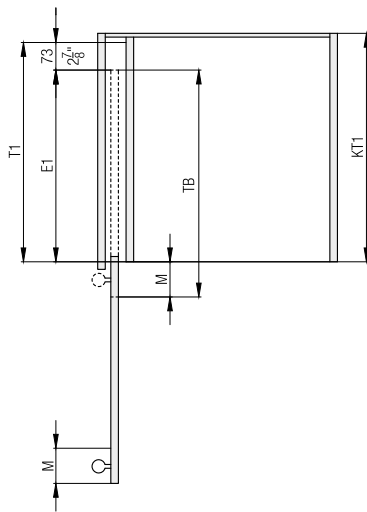
Door handles

		mm (inch)	No.
	Door handle, aluminum, anodized	400 (1' 3 3/4")	22692

Door handle height



Fitting depth calculations

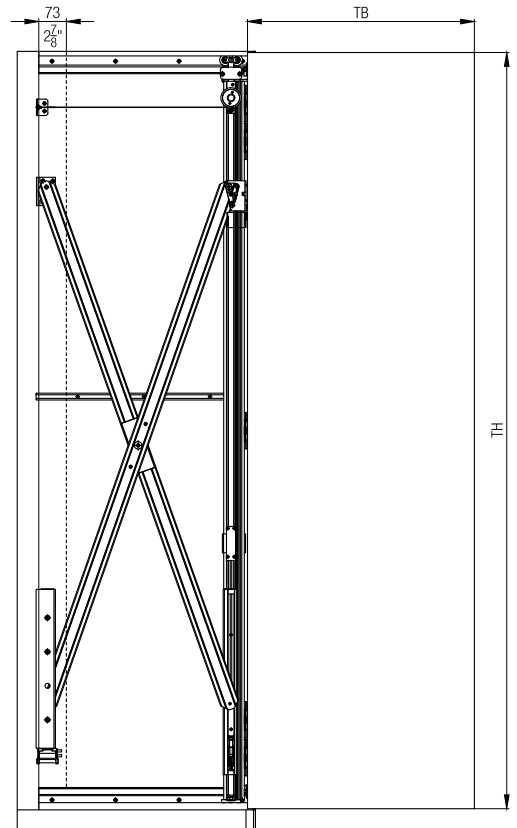


$$T1 = TB - M + 73 \text{ mm}$$

$$E1 = T1 - 73 \text{ mm}$$

$$T1 = TB - M + 2\frac{7}{8}''$$

$$E1 = T1 - 2\frac{7}{8}''$$



	T1	TH	E1
Hawa Concepta 40	≤ 900 mm	1851 - 2500 mm	300 - 827 mm

	T1	TH	E1
Hawa Concepta 40	≤ 2' 11 $\frac{7}{16}$ "	6' 0 $\frac{7}{8}$ " - 8' 2 $\frac{7}{16}$ "	11 $\frac{13}{16}$ " - 2' 8 $\frac{9}{16}$ "

	T1	TH	E1
Hawa Concepta 50	≤ 900 mm	2301 - 2850 mm	300 - 827 mm

	T1	TH	E1
Hawa Concepta 50	≤ 2' 11 $\frac{7}{16}$ "	7' 6 $\frac{19}{32}$ " - 9' 4 $\frac{7}{32}$ "	11 $\frac{13}{16}$ " - 2' 8 $\frac{9}{16}$ "

Weight and door size ratio calculations

The maximum weight must be adapted depending on the door size ratio.

TH \ TB	300	350	400	450	500	550	600	650	700	750	800	850	900
2850	50	50	50	50	50	50	50	50	50	50	50	50	50
2800	50	50	50	50	50	50	50	50	50	50	50	50	50
2750	50	50	50	50	50	50	50	50	50	50	50	50	50
2700	50	50	50	50	50	50	50	50	50	50	50	50	49
2650	50	50	50	50	50	50	50	50	50	50	50	50	48
2600	50	50	50	50	50	50	50	50	50	50	50	49	48
2550	50	50	50	50	50	50	50	50	50	50	50	48	47
2500	50	50	50	50	50	50	50	50	50	50	49	48	46
2450	50	50	50	50	50	50	50	50	50	49	48	47	45
2400	50	50	50	50	50	50	50	50	50	48	48	46	45
2350	50	50	50	50	50	50	50	50	49	48	47	45	44
2301	50	50	50	50	50	50	50	49	48	47	46	45	43

Door weight in kg | TB = Door width in mm | TH = Door height in mm

Accessories

- Straightening fitting from page 236

Planning/execution

Configure with just a few clicks on www.concepta.hawa.com

Further information about the product can be found on www.hawa.com.