




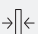


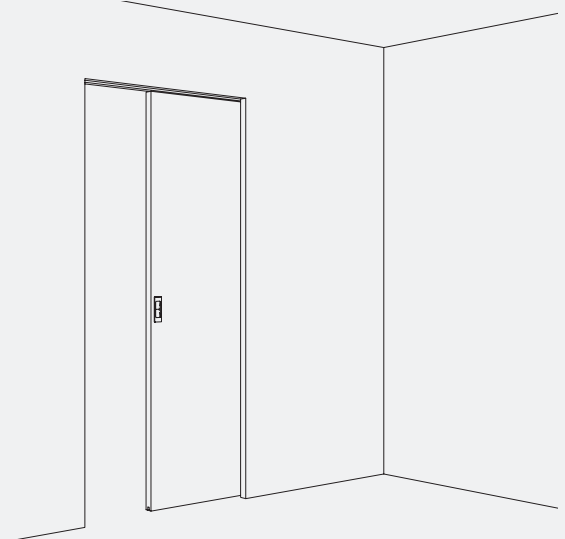
Fitting for top-running wooden doors up to 100 kg (220 lbs.), with surface mounted running track or running track flush with the ceiling. Optionally with soft and self closing mechanism. Ceiling mounting. Wall pocket solution.

Product highlights

-  **Flexibility** Ceiling-integrated or surface-mounted pocket solutions possible
-  **Productivity** Door can be installed in pocket after construction is complete

Technical specifications

-  Max. 100 kg (220 lbs.)
-  Max. 2700 mm (8' 10 5/16")
-  Max. 1600 mm (5' 3")
-  30–80 mm (1 3/16" to 3 5/32")



Installation examples

TH = H - 44
TH = H - 1 13/32"

ohne Montageöffnung
without assembly opening
sans ouverture de montage

Ø 4 x 40

Ø 5

Ø 4 x 20

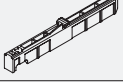

Ø 3

Für das Ein- und Ausschwenken darf eine Blende bis max. Unterkante der Schiene reichen.
At least one of the panels must end at the lower edge of the running track in order to be able to swivel the door inwards and outwards.
Pour que le pivotement puisse s'effectuer, un cache pourra au maximum atteindre le bord inférieur du rail.

**Set for ceiling mounting,
for 1 wooden door up to 100 kg (220 lbs.)**

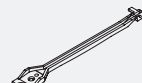

	No.
Hawa Porta 100 HMT, Pocket minimal installation height, for 1 door	057.3133.073

Set consisting of:

		057.3133.073	No.
	Running gear, ball bearing, rollers, plastic, white	2	057.3114.071
	Stopper, with retention spring, plastic, gray	2	057.3073.072
	Hexagon head screw, M8x36 mm (5/16"x1 13/32"), steel, zinc-plated	1	042.0165.101
	Head cap screw, M8x35 mm (5/16"x1 3/8"), steel, zinc-plated	1	042.0175.001
	Cover cap, plastic, grey	1	600.0000.533
	Running gear holder, plastic, anthracite	1	042.0167.001
	Running gear holder, plastic, anthracite	1	042.0174.001
	Housing, steel, zinc-plated	1	042.0166.101
	Housing, steel, zinc-plated	1	042.0166.102
	Countersunk head screw, 4x40 mm (5/32"x1 9/16"), steel, zinc-plated	8	766.5040.140
	Bottom guide, with roller, adjustable, plastic, anthracite	1	057.3120.071
	Countersunk head screw, 4x20 mm (5/32"x25/32"), steel, zinc-plated	4	766.5042.120




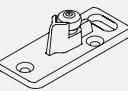

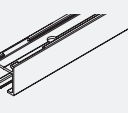


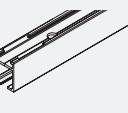
**Set for ceiling mounting,
for 1 wooden door up to 100 kg (220 lbs.)**

	No.
Hawa Porta 100 HMT Pocket, with Push-to-open, with running track, 2000 mm (6' 6 3/4"), aluminum, anodized, for 1 door	057.3181.072
Hawa Porta 100 HMT Pocket, with Push-to-open, with running track, 2500 mm (8' 2 7/16"), aluminum, anodized, for 1 door	057.3181.073

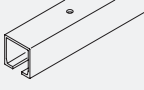
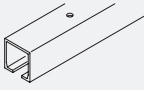

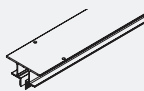

		mm (inch)	057.3181.072	057.3181.073	No.
	Running gear, ball bearing, rollers, plastic, white		2	2	057.3114.071
	Stopper, without retention spring, plastic, gray		2	2	057.3073.071
	Soft close, top running, 61-100 kg (133 to 220 lbs.), plastic		1	1	042.3106.071
	Trigger for soft close in buildings, zinc die casting		1	1	042.3105.001
	Push-to-open Hawa Porta 100, 40-100 kg (88 to 220 lbs.), with self-closing		1	1	057.3177.071
	Release piece for Push-to-open, zinc die casting		1	1	057.3176.001
	Screw set soft close		2	2	600.0000.566
	Hexagon head screw, M8x36 mm (5/16"x1 13/32"), steel, zinc-plated		1	1	042.0165.101
	Head cap screw, M8x35 mm (5/16"x1 3/8"), steel, zinc-plated		1	1	042.0175.001
	Cover cap, plastic, grey		1	1	600.0000.533
	Running gear holder, plastic, anthracite		1	1	042.0167.001
	Running gear holder, plastic, anthracite		1	1	042.0174.001

Continued table on next page

Table continued from previous page

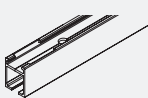
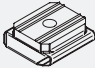



	Housing, steel, zinc-plated	1	1	042.0166.101
	Housing, steel, zinc-plated	1	1	042.0166.102
	Countersunk head screw, 4x40 mm (5/32"x1 9/16"), steel, zinc-plated	8	8	766.5040.140
	Bottom guide, with roller, adjustable, plastic, anthracite	1	1	057.3120.071
	Countersunk head screw, 4x20 mm (5/32"x25/32"), steel, zinc-plated	4	4	766.5042.120
	Running track, aluminum, anodized, pre-drilled	2,000 (6' 6 3/4 ")	1	057.3174.200
	Assembly pin, plastic, gray	9	11	057.0201.001
	Countersunk head screw, 5x40 mm (3/16"x1 9/16"), steel, zinc-plated	10	12	766.3054.140
	Running track, aluminum, anodized, pre-drilled	2,500 (8' 2 7/16")	1	057.3174.250

Running tracks

		mm (inch)	No.
	Running track, aluminum, pre-drilled	1,700 (5' 6 15/16")	057.3016.170
		2,000 (6' 6 3/4 ")	057.3016.200
		2,500 (8' 2 7/16")	057.3016.250
		6,000 (19' 8 7/32")	057.3016.600
		cut to size	057.3016.990
	Running track, aluminum, anodized, pre-drilled	2,000 (6' 6 3/4 ")	057.3016.201
		2,500 (8' 2 7/16")	057.3016.251
		6,000 (19' 8 7/32")	057.3016.601
		cut to size	057.3016.991
	Running track, with assembly opening, aluminum, anodized, pre-drilled	2,500 (8' 2 7/16")	057.3016.256
		cut to size	057.3016.998
	Running track, ceiling integration, aluminum, anodized, pre-drilled	2,500 (8' 2 7/16")	27668
		3,500 (11' 5 25/32")	27667
		6,000 (19' 8 7/32")	30326
		cut to size	27669
	Disposable cover to running track Hawa Divido 100 / Hawa Porta 45/60/100, plastic, black	2,000 (6' 6 3/4 ")	057.3098.001
		cut to size	057.3098.990

Assembly set


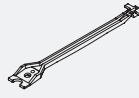


	No.
Assembly set Hawa Porta 60/100, 2000 mm (6' 6 3/4")	057.3179.200
Assembly set Hawa Porta 60/100, 2500 mm (8' 2 7/16")	057.3179.250
Assembly set Hawa Porta 60/100, 3000 mm (9' 10 1/8")	057.3179.300

Set consisting of:		mm (inch)	057.3179.200	057.3179.250	057.3179.300	No.
	Running track, aluminum, anodized, pre-drilled	2,000 (6' 6 3/4")	1			057.3174.200
	Assembly pin, plastic, gray		9	11	13	057.0201.001
	Countersunk head screw, 5x40 mm (3/16"x1 9/16"), steel, zinc-plated		10	12	14	766.3054.140
	Running track, aluminum, anodized, pre-drilled	2,500 (8' 2 7/16")		1		057.3174.250
	Running track, aluminum, anodized, pre-drilled	3,000 (9' 10 1/8")			1	057.3174.300

Soft close

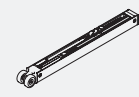
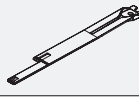

For soft closing in opening and closing direction order 2 sets.

	No.
Soft close Hawa Porta 100, Divido 100, 61-100 kg (133 to 220 lbs.), 1 piece	042.3102.071
Soft close Hawa Porta 60/100, Divido 100, 10-60 kg (22 to 132 lbs.), 1 piece	042.3102.072

Set consisting of:		042.3102.071	042.3102.072	No.
	Soft close, top running, 61-100 kg (133 to 220 lbs.), plastic	1		042.3106.071
	Trigger for soft close in buildings, zinc die casting	1	1	042.3105.001
	Screw set soft close	1	1	600.0000.566
	Soft close, top running, 10-60 kg (22 to 132 lbs.), plastic		1	042.3106.072

Push-to-open with self closing mechanism (must only be used with Hawa Porta 100)

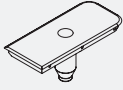

	No.
Push-to-open Hawa Porta 100, 40-100 kg (88 to 220 lbs.), 1 piece	057.3178.071

Set consisting of:		057.3178.071	No.
	Push-to-open Hawa Porta 100, 40-100 kg (88 to 220 lbs.), with self-closing	1	057.3177.071
	Release piece for Push-to-open, zinc die casting	1	057.3176.001
	Screw set soft close	1	600.0000.566

Cover for assembly opening

	No.
Cover cap to assembly opening, 1-piece set	042.3114.071

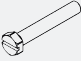
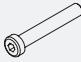
Set consisting of:

		042.3114.071	No.
	Cover cap assembly opening, plastic, gray	1	042.0172.001
	Screw set soft close	1	600.0000.566


Screw set

	No.
Screw set for ceiling integration, +15 mm (+19/32")	057.3180.071

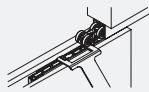
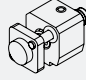
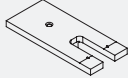

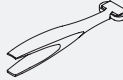
Set consisting of:

		057.3180.071	No.
	Hexagon screw, M8x51 mm (5/16"x2"), steel, zinc-plated	2	042.0165.103
	Head cap screw, M8x50 mm (5/16"x1 31/32"), steel, zinc-plated	1	042.0175.002

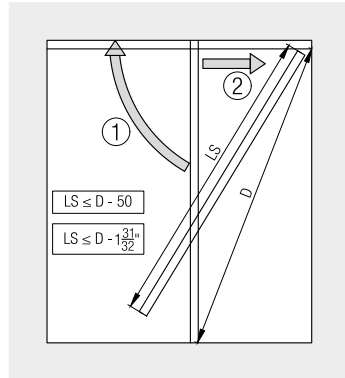
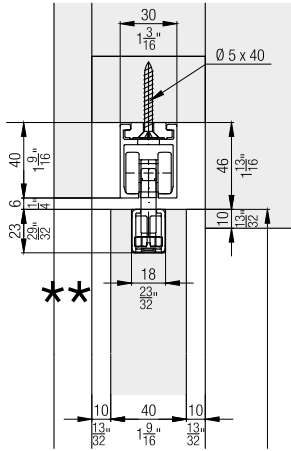
Bottom guide set for wall mounting

	No.	
	Set bottom guide for wall mounting, with roller	057.3128.171

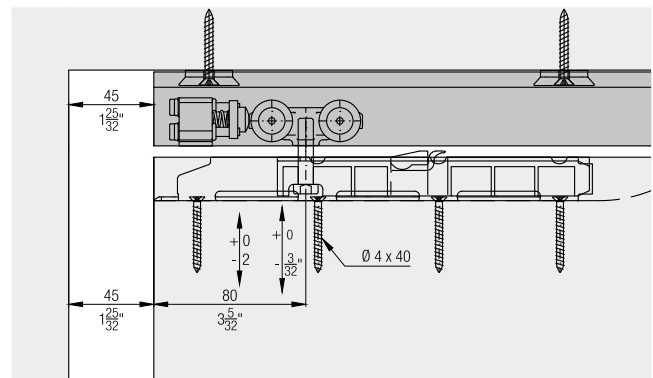
Accessories

	No.	
	Key for dismounting, steel, zinc-plated	042.3119.101
	Spring loaded buffer Hawa Porta 60/100	27760
	Routing jig for assembly opening	042.3118.071
	Groove cutter to routing jig, Ø= 10 mm (13/32"), hard metal	600.0000.309
	Track cleaner, plastic, blue	057.3099.071

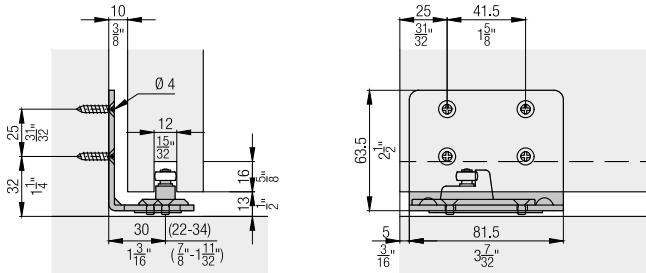
Assembly set/track installation Pocket



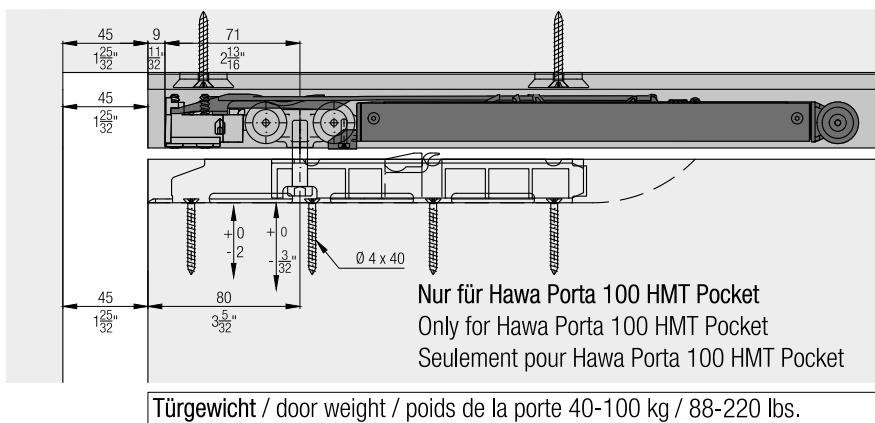
Spring stop



Wall mounting bottom guide

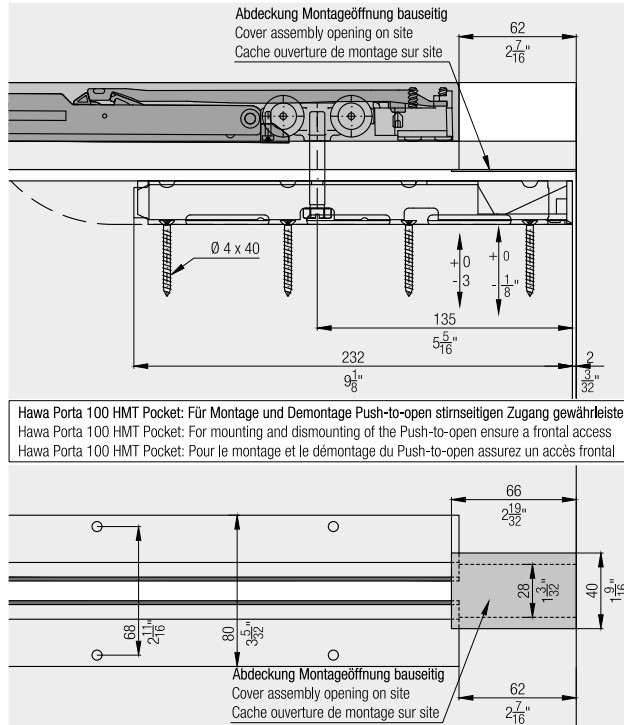
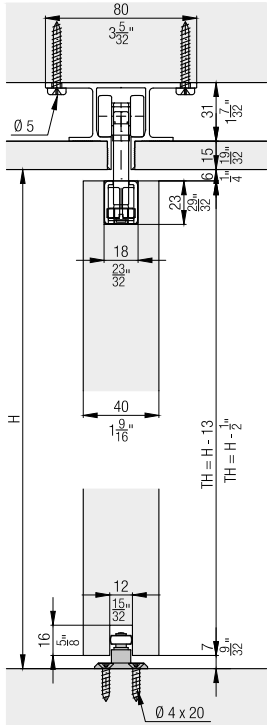


Push-to-open with self closing mechanism

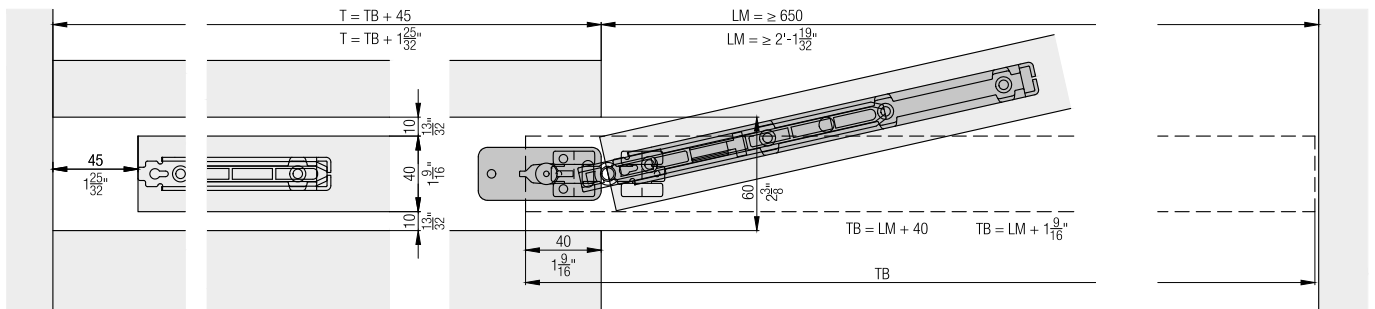


Ceiling integration

Recommendation: For systems integrated into the ceiling, provide assembly openings or front access to the system.



Calculations



Soft close

Beidseitig gedämpfte Ausführungen ohne stirnseitigen Zugang erfordern zwei Montageöffnungen.
Versions with soft closing mechanism at both sides without access from the leading edge require two assembly openings.
Les versions avec amortissement bilatéral sans accès frontal exigent deux ouvertures de montage.

*	Z =					
	1			2		
	0	1	2	0	1	2
Hawa Porta 60/100 H/H/C	1' 6 ²⁹ / ₃₂ "	1' 9 ¹ / ₁₆ "	1' 11 ¹ / ₄ "	2' 4 ³ / ₄ "	2' 6 ²⁹ / ₃₂ "	2' 9 ³ / ₃₂ "
Hawa Porta 60/100 HM/HMD/HMT	1' 6 ²⁹ / ₃₂ "	1' 9 ¹ / ₁₆ "	1' 11 ¹ / ₄ "	2' 4 ³ / ₄ "	2' 6 ²⁹ / ₃₂ "	2' 9 ³ / ₃₂ "
Hawa Porta 100 G/GU/GM/GMT	1' 6 ²⁹ / ₃₂ "	1' 9 ¹ / ₁₆ "	1' 11 ¹ / ₄ "	2' 4 ³ / ₄ "	2' 6 ²⁹ / ₃₂ "	2' 9 ³ / ₃₂ "
Hawa Porta 100 GF	1' 6 ²⁹ / ₃₂ "			2' 4 ³ / ₄ "		2' 9 ³ / ₃₂ "
Hawa Porta 100 GW/GWF	1' 8 ⁵ / ₃₂ "	1' 9 ¹ / ₁₆ "	1' 11 ¹ / ₄ "	2' 6"	2' 6 ²⁹ / ₃₂ "	2' 7 ³ / ₁₆ "
Hawa Porta 100 GMD	1' 7 ⁷ / ₃₂ "	1' 9 ¹ / ₃₂ "	1' 11 ¹ / ₄ "	2' 5 ¹ / ₁₆ "	2' 7 ¹ / ₁₆ "	2' 7 ³ / ₁₆ "
Hawa Divido 100 H/HM/GR	1' 6 ²⁹ / ₃₂ "	1' 9 ¹ / ₁₆ "	1' 11 ¹ / ₄ "	2' 4 ³ / ₄ "	2' 6 ²⁹ / ₃₂ "	2' 9 ³ / ₃₂ "
Hawa Divido 100 GRM	1' 8 ⁵ / ₃₂ "	1' 10 ¹ / ₃₂ "	1' 0 ¹ / ₂ "	2' 6"	2' 8 ⁵ / ₃₂ "	2' 10 ¹ / ₃₂ "

≥ 320
≥ 1' - 19¹/₃₂"
Z = ≥ 535
Z = ≥ 1' - 9¹/₁₆"

*	Z =					
	1			2		
	0	1	2	0	1	2
Hawa Porta 60/100 H/H/C	480	535	590	730	785	840
Hawa Porta 60/100 HM/HMD/HMT	480	535	590	730	785	840
Hawa Porta 100 G/GU/GM/GMT	480	535	590	730	785	840
Hawa Porta 100 GF	480			730		840
Hawa Porta 100 GW/GWF	512	542	590	762	792	840
Hawa Porta 100 GMD	488	539	590	738	789	840
Hawa Divido 100 H/HM/GR	480	535	590	730	785	840
Hawa Divido 100 GRM	512	567	622	762	817	872

Montageöffnung
assembly opening
ouverture de montage

≥ 570
≥ 1' - 10⁷/₁₆"
Z = ≥ 785
Z = ≥ 2' - 6²⁹/₃₂"

Push-to-open soft closing mechanism

Nur für Hawa Porta 100 Pocket
Only for Hawa Porta 100 Pocket
Seulement pour Hawa Porta 100 Pocket

Türgewicht / door weight / poids de la porte 40-100 kg / 88-220 lbs.

	Y =			Y =	
	0	1		0	1
Hawa Porta 100 Pocket	1' 7 ¹ / ₂ "	2' 5 ¹¹ / ₃₂ "	Hawa Porta 100 Pocket	495	800

Empfehlung: Hawa Montageset verwenden
Recommendation: Use the Hawa Assembly set
Recommandation: Utilisez le kit de montage Hawa

Ohne Montageset: Für Montage und Demontage Push-to-open stirnseitigen Zugang gewährleisten
Without assembly set: For mounting and dismounting of the Push-to-open ensure a frontal access
Sans kit de montage: Pour le montage et le démontage du Push-to-open assurez un accès frontal

≥ 585
≥ 1' - 11¹/₁₆"
Y = ≥ 800
Y = ≥ 2' - 7¹/₂"

≥ 335
≥ 1' - 13³/₁₆"
Y = ≥ 550
Y = ≥ 1' - 9²¹/₃₂"

Accessories

- Lock solutions from page 511
- General accessories from page 518

Planning/execution

Further information about the product can be found on www.hawa.com.