



## LZ100-G

solid sprung door handle on rose

### Product information

Code: 3401D001INNMO

Finish: satin stainless steel

UNIT: Pair

Collection: BOSCO

Designer: Lazaro Rosa-Violan

EAN code: 8718009310595

**BOSCO** by Lazaro Rosa-Violan

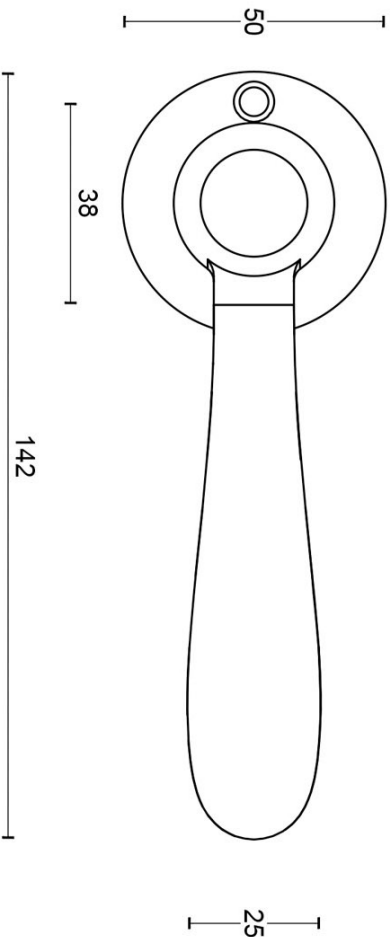
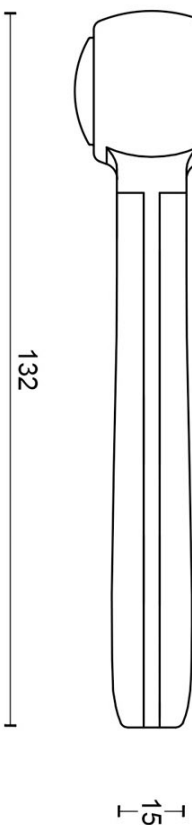
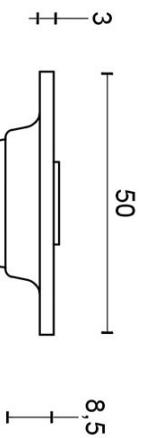
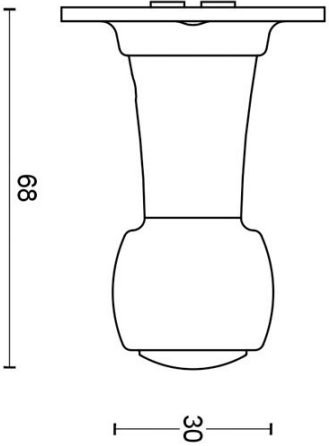
The BOSCO series is a total concept collection consisting of door, window, and furniture fittings.

### Finishes

- satin stainless steel
- polished stainless steel
- brass unlacquered

# LZ100

solid sprung lever handle  
attached to rose  
stainless steel or brass



|   |                        |              |
|---|------------------------|--------------|
| <b>FORMANI®</b>   |                        | Part number: |
| Doc no.:  | 3401D001 LZ100 V01.dwg | Description: |
| Drawn by:   | Christian Brimbois     | LZ100        |
| Creation date:  | 27-7-2016              | Format:      |
| FORMANI HOLLAND B.V. - EUROPALAAN 12 6199 AB MAASTRICHT-AIRPORT NL - T +31 (0)43 308 90 00 INFO@FORMANI.COM FORMANI.COM |                        | A3           |

# BOSCO

by Lazaro Rosa-Violan

**Our BOSCO hardware series by Lázaro Rosa-Violán ‘opens doors from the past that lead to the future’. This quote defines the design formula applied to the BOSCO series by FORMANI®: classic design with a functional, modern look. These door handles are in every respect inspired by the famous historic knives that combined traditional stainless steel with black handles and which were an integral part of households in Europe for decades. The shape of the design consists of a cylindrical form connected to the handle of the lever, where the stainless steel is still visible from the upper side. We found our inspiration for the BOSCO door handles in the authentic production technique of those classic knives. We also used the very same black POM materials, which are some of the very best plastics available and are even UV-resistant. Just like the knives, the black parts of the BOSCO door handles grow more beautiful with age and use, gaining that weathered, vintage look and exuding a sense of nostalgia.**

# BOSCO

by Lazaro Rosa-Violan



FORMANI®



# Lázaro Rosa-Violán

Ceuta, 1964

Design philosophy: Create a unique space with its own personality, spaces to be enjoyed, where customers feel comfortable.

**Lázaro Rosa Violán's design philosophy revolves around accessible design, as part of which the experience should transcend the space itself and serve as an invitation for everyone to join. He creates an atmosphere - one only needs to touch the handle to begin the experience. Lázaro collaborated with FORMANI to develop the BOSCO hardware series. His philosophy and strength in the use of structure are reflected in the design of the BOSCO.**

# Brand story

**FORMANI has evolved considerably over the last few decades – from a Dutch family business to an internationally renowned designer brand, from door handles to total design concepts, from product development to collaborations with world-class designers. It was an evolution driven by pure ambition and courage. Our motto, ‘Obsessed with details’, epitomizes everything we do, from product to process, from strategy to service. Because it is these details that make the difference between good and perfect. At FORMANI, good is the enemy of great.**

---

Formani Holland b.v.  
Europalaan 12  
6199 AB  
Maastricht-Airport

T: +31(0)43 308 9000  
E: info@formani.com

Chamber of Commerce:  
146 27 479

**FORMANI®**