

# Hawa Folding Concepta for wooden pivot and folding/sliding doors

## Folding flush-fitting furniture fronts and making them disappear





Make entire cabinet fronts up to 2800 mm in width disappear flush with the outer face with a single manual operation: not a problem with the Hawa Folding Concepta. Two doors can be folded and slid in at the side with this well thought-out fitting system. The slide-in loss is a mere 73 mm using this system, the niche width is just 110 mm and you even gain space in the room, since the doors are stored away flush in the furniture cabinet or in the wall pocket when the front panel is opened. And the high-quality scissor technology of Hawa Sliding Solutions guarantees that the doors move smoothly and quietly without jamming. Easy on the eye: uniform gap pattern in the closed condition – also in combination with Hawa Concepta. And a view of the elegant, black or plain anodized aluminum profiles in open furniture.






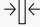
**Area of application**

Variable, multi-functional use of rooms, such as for home offices which disappear behind doors, cabinet fronts which conceal a kitchen, or utility rooms or store rooms which are designed as walk-in cabinets.

**System advantages**

-  **Flexibility**    **Easy adaptation** for wide range of door dimensions  
**Can be combined with Hawa Concepta** to create two, three and four-leaf front panels without separating walls
-  **Productivity**    **Efficient installation**, because all components are screwed on
-  **Comfort**    **No obstruction** by protruding doors  
**Entire cabinet fronts can be folded and slid in** with a single manual operation
-  **Aesthetics**    Elegant **flush-fitting, floor-to-ceiling and walk-in** construction versions possible, including black anodized

**Technical specifications**

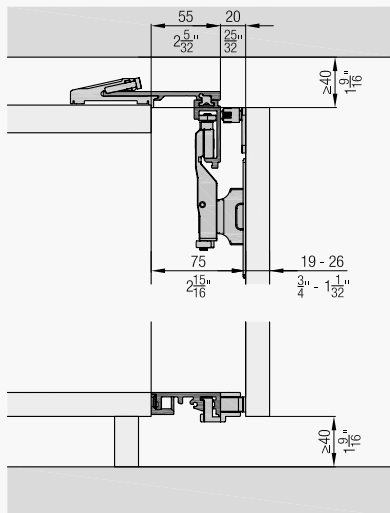
-  max.                      25 kg  
(50 kg per pair of doors)
-                               1250–2600 mm
-                               300–700 mm
-                               19–26 mm

**Good to know (accessories)**

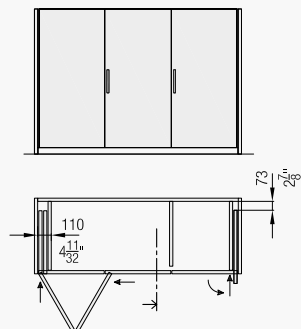
- Straightening fitting for doors
- Reinforcement profile for stability
- Door handle required

**Installation examples**

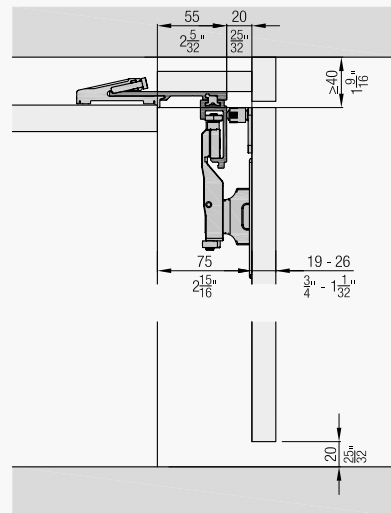
Hawa Folding Concepta 25



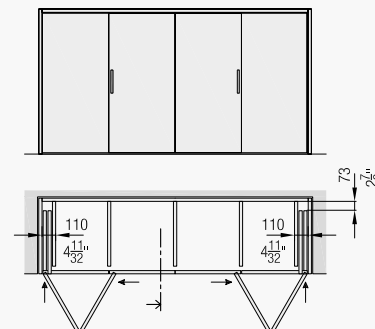
Front-hung cabinet fronts in combination with Hawa Concepta



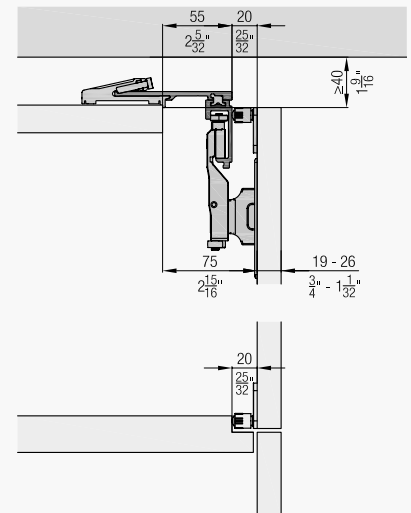
Hawa Folding Concepta 25



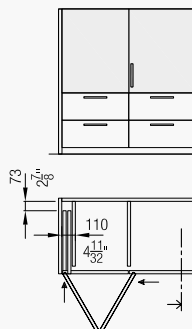
Niche cover without furniture tops



Hawa Folding Concepta 25



Half-height version from worktop



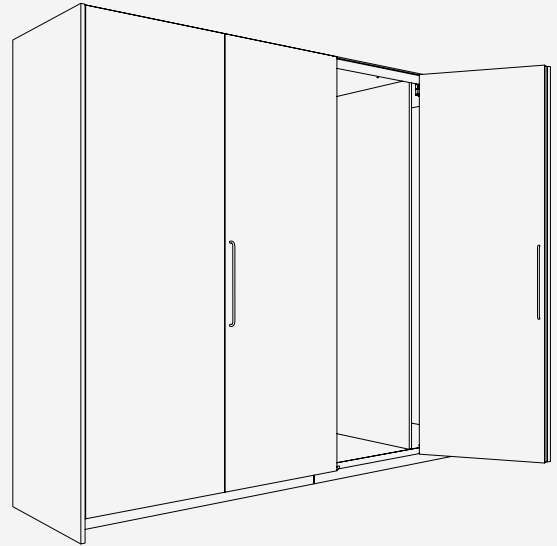
Fitting for pivoting, folding, and lateral sliding in of wooden doors up to 25 kg per door. Enables multi-functional room design, paired with a flush-fitting design.

Product highlights

- Comfort** The entire furniture front can be folded and slid in easily with one hand
- Aesthetics** Supports trends in modern interior design towards flush-fitting, floor-to-ceiling and accessible solutions

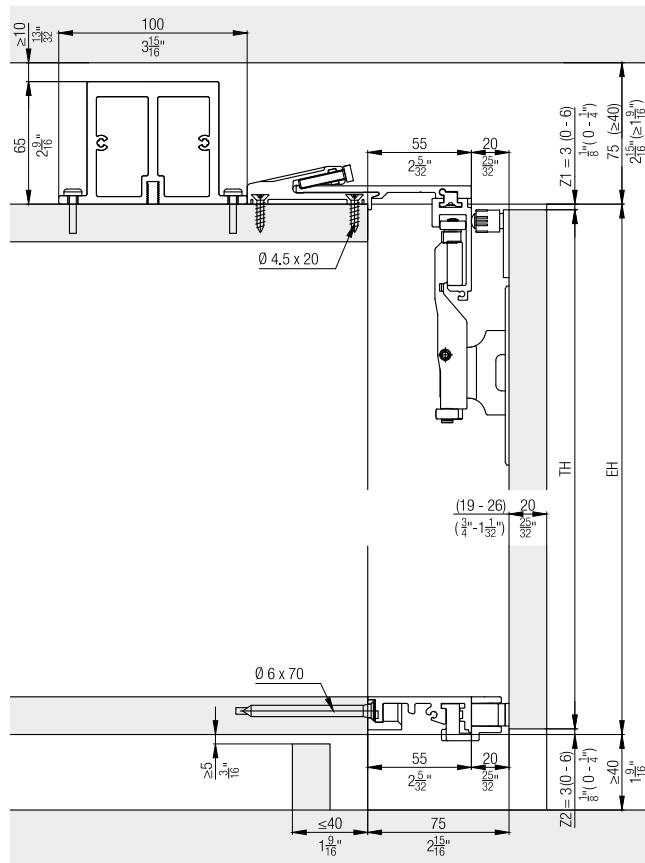
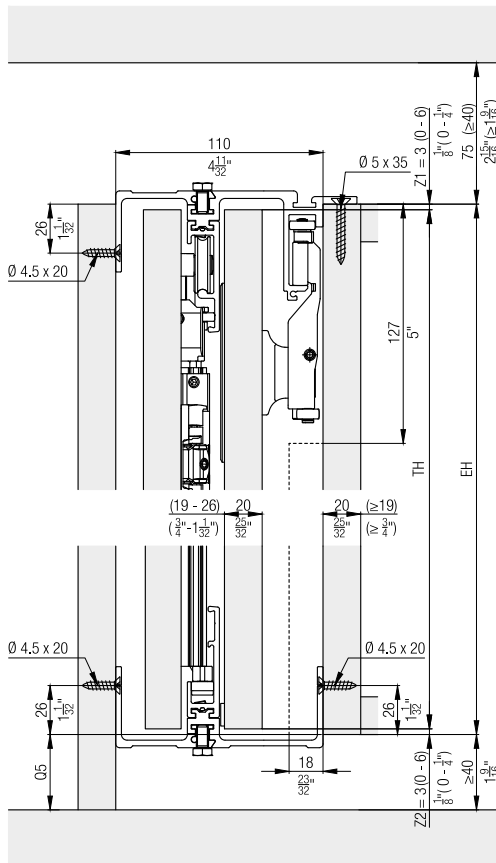
Technical specifications

- Max.** 25 kg (55 lbs.)
- 1250–2600 mm (4'1 7/32" to 8'6 3/8")
- 300–700 mm (11 13/16" to 2'3 9/16")
- 19–26 mm (3/4" to 1 1/32")

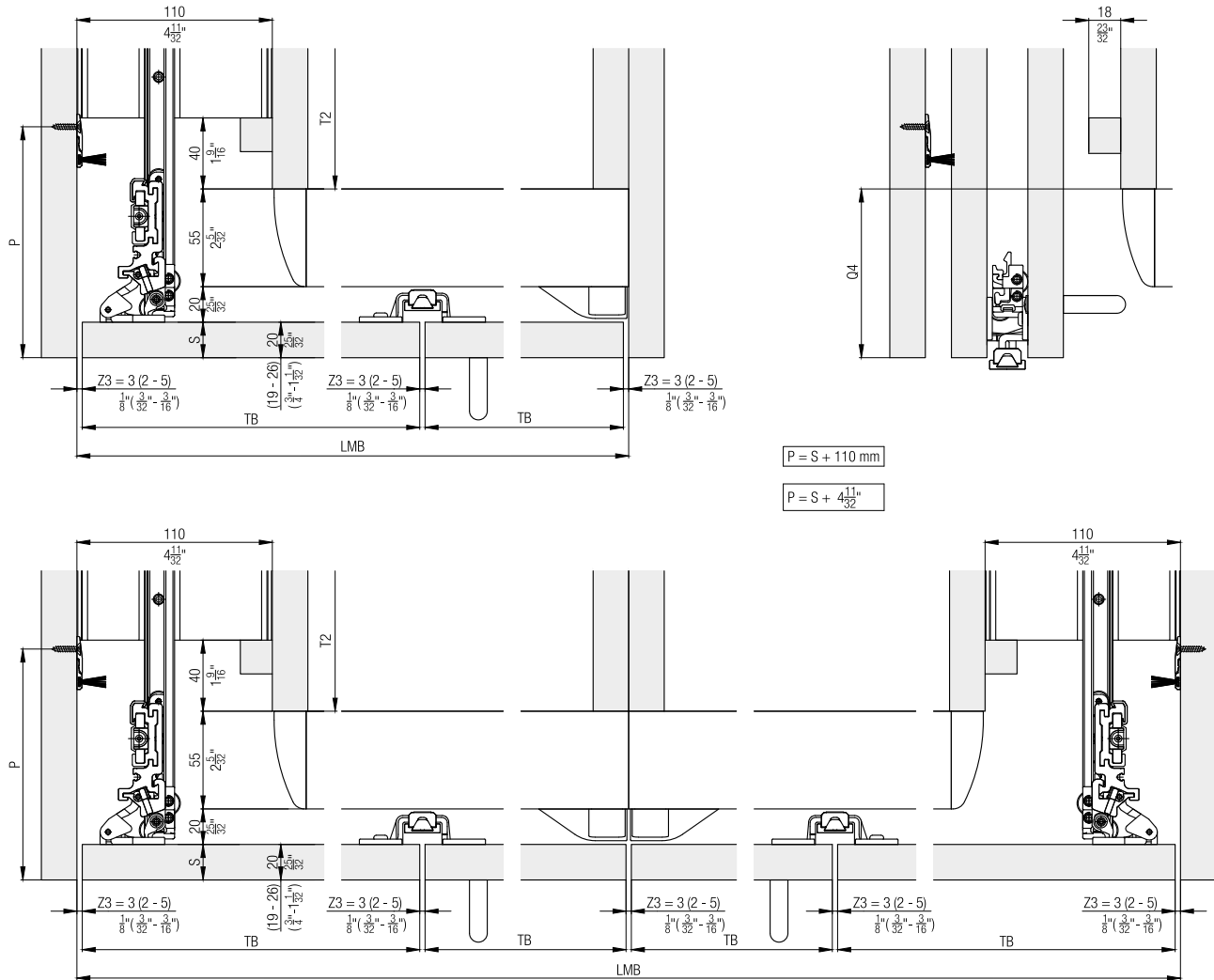


Installation examples

Front-hung cabinet fronts with base profile, 2 and 4 doors

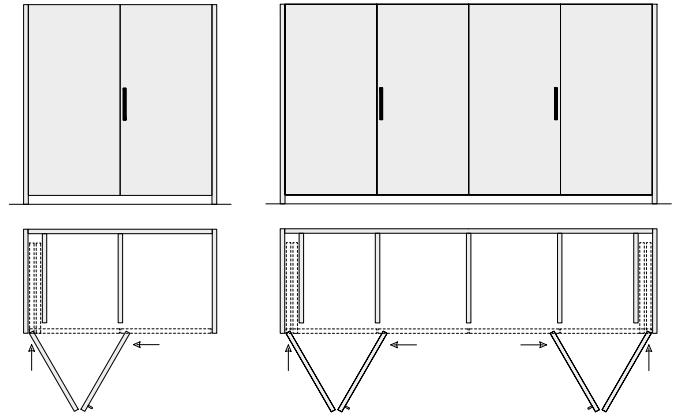


Systems with base profile, 2 and 4 doors



Set for 1 pair of folding doors,  
door height 1250 to 1850 mm (4'1 7/32" to 6' 27/32")

|                                                                                        | No.   |
|----------------------------------------------------------------------------------------|-------|
| Hawa Folding Concepta 25, left, aluminum, anodized, for 1 pair of folding doors        | 27636 |
| Hawa Folding Concepta 25, right, aluminum, anodized, for 1 pair of folding doors       | 27637 |
| Hawa Folding Concepta 25, left, aluminum, black anodized, for 1 pair of folding doors  | 27640 |
| Hawa Folding Concepta 25, right, aluminum, black anodized, for 1 pair of folding doors | 27641 |



| Set consisting of:                                                |       |       |       |       | No.   |
|-------------------------------------------------------------------|-------|-------|-------|-------|-------|
|                                                                   | 27636 | 27637 | 27640 | 27641 |       |
| Scissor action, complete, 900 mm (2'11 7/16"), steel, zinc-plated | 1     | 1     | 1     | 1     | 24087 |
| Two-wheeled running gear, height-adjustable, zinc-plated matt     | 1     | 1     | 1     | 1     | 24686 |
| Single-wheeled running gear, for folding door, nickel-plated      | 1     | 1     | 1     | 1     | 24054 |
| Concealed press-fit cup, matt nickel-plated                       | 1     | 1     | 1     | 1     | 23409 |
| Concealed hinge with damper, nickel-plated, 3 pieces              | 1     | 1     | 1     | 1     | 27654 |
| Concealed centre hinge, steel, dull nickel finish, 3 pieces       | 1     | 1     | 1     | 1     | 24088 |
| Set of screws for concealed hinges, PH 4x20 mm (25/32")           | 1     | 1     | 1     | 1     | 25936 |
| Rear scissor bearing, left, steel, zinc-plated                    | 1     |       | 1     |       | 24117 |
| Rear scissor guide, aluminum, anodized                            | 1     | 1     | 1     | 1     | 25600 |
| Front scissor guide, aluminum, anodized                           | 1     | 1     | 1     | 1     | 25592 |
| Upright, 1800 mm (5'10 7/8"), aluminum, anodized                  | 1     | 1     | 1     | 1     | 22055 |

Continued table on next column

Table continued from previous column

|                                                                                              |   |   |   |   |       |
|----------------------------------------------------------------------------------------------|---|---|---|---|-------|
| Connector connecting profile, bottom left/top right, 500 mm (1'7 11/16"), aluminum, anodized | 1 | 1 | 1 | 1 | 24170 |
| Connector connecting profile, bottom right/top left, 500 mm (1'7 11/16"), aluminum, anodized | 1 | 1 | 1 | 1 | 24171 |
| Interior connector, bottom left, 645 mm (2'1 13/32"), aluminum, anodized                     | 1 |   | 1 |   | 24021 |
| Interior connector, top left, 645 mm (2'1 13/32"), aluminum, anodized                        | 1 |   | 1 |   | 24107 |
| Exterior connector, bottom left/top right, 645 mm (2'1 13/32"), aluminum, anodized           | 1 | 1 | 1 | 1 | 24027 |
| Exterior connector, bottom right/top left, 645 mm (2'1 13/32"), aluminum, anodized           | 1 | 1 | 1 | 1 | 24028 |

Continued table on next page

Table continued from previous page

|  |                                                                                     |   |   |   |   |       |
|--|-------------------------------------------------------------------------------------|---|---|---|---|-------|
|  | Running track, left, 748 mm (2'5 7/16"), aluminum, anodized                         | 1 | 1 |   |   | 24744 |
|  | Bottom guide channel, left, 748 mm (2'5 7/16"), aluminum, anodized                  | 1 | 1 |   |   | 24746 |
|  | Running track, with left-hand curve piece, 1420 mm (4'7 29/32"), aluminum, anodized | 1 |   |   |   | 24070 |
|  | Adapter for running track, plastic, anthracite, 4 pieces                            | 1 | 1 | 1 | 1 | 23645 |
|  | Brush guide, plastic, black, set of 3 pieces                                        | 1 | 1 | 1 | 1 | 25815 |
|  | Covering screen for door clearance, 1870 mm (6'1 5/8"), aluminum, anodized          | 1 | 1 |   |   | 23540 |
|  | Soft closing system for end position, with cover caps, plastic, black               | 1 | 1 | 1 | 1 | 25887 |
|  | Pivot door damper, plastic, anthracite-grey                                         | 1 | 1 | 1 | 1 | 24063 |
|  | Upright guide, rattle proof, with plastic rollers                                   | 1 | 1 | 1 | 1 | 25656 |
|  | Stop cover cap, Hawa Folding Concepta, depth adjustable, top left/bottom right      | 1 | 1 | 1 | 1 | 27659 |
|  | Stop cover cap, Hawa Folding Concepta, depth adjustable, top right/bottom left      | 1 | 1 | 1 | 1 | 27660 |
|  | Cover plates, stainless steel, 1 pair                                               | 1 | 1 |   |   | 24739 |
|  | Stop bumper adjustable, plastic, anthracite-grey                                    | 1 | 1 | 1 | 1 | 23562 |


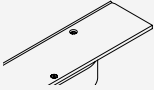
Continued table on next column

Table continued from previous column

|  |                                                                                           |   |   |   |   |       |
|--|-------------------------------------------------------------------------------------------|---|---|---|---|-------|
|  | Fixing parts for covering screen for door clearance, of 3 pieces                          | 1 | 1 | 1 | 1 | 23990 |
|  | Screw set, 4.5x20 mm, 40 pieces                                                           | 1 | 1 | 1 | 1 | 24032 |
|  | Screw set, 5x35 mm, 4 pieces                                                              | 1 | 1 | 1 | 1 | 24111 |
|  | Allen key, with handle, 3 mm (1/8")                                                       | 1 | 1 | 1 | 1 | 13164 |
|  | Rear scissor bearing, right, galvanized steel                                             |   | 1 |   | 1 | 24097 |
|  | Interior connector, bottom right, 645 mm (2'1 13/32"), aluminum, anodized                 |   |   | 1 | 1 | 24022 |
|  | Interior connector, top right, 645 mm (2'1 13/32"), aluminum, anodized                    |   |   | 1 | 1 | 24108 |
|  | Running track, right, 748 mm (2'5 7/16"), aluminium, anodized                             |   |   | 1 | 1 | 24745 |
|  | Bottom guide channel, right, 748 mm (2'5 7/16"), aluminium, anodized                      |   |   | 1 | 1 | 24747 |
|  | Running track, with right-hand curve piece, aluminium, anodized                           |   |   | 1 |   | 24071 |
|  | Running track, with left-hand curve piece, 1420 mm (4'7 29/32"), aluminum, black anodized |   |   |   | 1 | 25484 |
|  | Covering screen for door clearance, 1870 mm (6'1 5/8"), aluminum, black anodized          |   |   | 1 | 1 | 25567 |






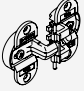

Continued table on next page

Table continued from previous page

|                                                                                   |                                                                                            |  |  |   |   |       |
|-----------------------------------------------------------------------------------|--------------------------------------------------------------------------------------------|--|--|---|---|-------|
|  | Cover plates, stainless steel, black, 1 pair                                               |  |  | 1 | 1 | 25865 |
|  | Running track, with right-hand curve piece, 1420 mm (4'7 29/32"), aluminum, black anodized |  |  |   | 1 | 25485 |

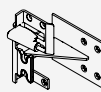


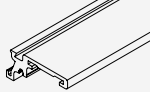
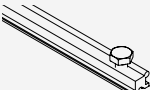
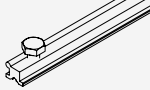
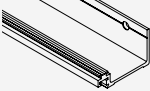
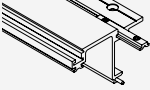
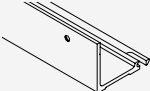
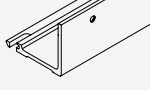
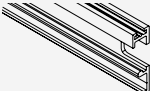
**Set for 1 pair of folding doors, door height 1851 to 2600 mm (6' 7/8" to 8'6 3/8")**

|                                                                                        | No.   |
|----------------------------------------------------------------------------------------|-------|
| Hawa Folding Concepta 25, left, aluminum, anodized, for 1 pair of folding doors        | 27638 |
| Hawa Folding Concepta 25, right, aluminum, anodized, for 1 pair of folding doors       | 27639 |
| Hawa Folding Concepta 25, left, aluminum, black anodized, for 1 pair of folding doors  | 27642 |
| Hawa Folding Concepta 25, right, aluminum, black anodized, for 1 pair of folding doors | 27643 |

|                                                                                                                                                      | 27638 | 27639 | 27642 | 27643 | No.   |
|------------------------------------------------------------------------------------------------------------------------------------------------------|-------|-------|-------|-------|-------|
|  Scissor action complete, 1500 mm (4'11 1/16"), steel, galvanized | 1     | 1     | 1     | 1     | 22594 |
|  Two-wheeled running gear, height-adjustable, zinc-plated matt    | 1     | 1     | 1     | 1     | 24686 |
|  Single-wheeled running gear, for folding door, nickel-plated     | 1     | 1     | 1     | 1     | 24054 |
|  Concealed press-fit cup, matt nickel-plated                      | 1     | 1     | 1     | 1     | 23409 |
|  Concealed hinge with damper, nickel-plated, 4 pieces             | 1     | 1     | 1     | 1     | 27655 |
|  Centre concealed hinge, dull nickel finish, set of 4 pieces      | 1     | 1     | 1     | 1     | 24218 |
|  Set of screws for concealed hinges, PH 4x20 mm (25/32")          | 1     | 1     | 1     | 1     | 25936 |

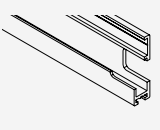
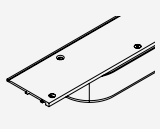
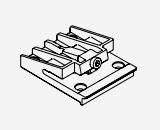
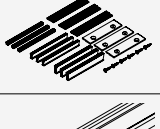
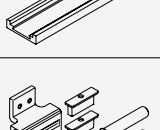
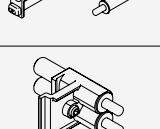
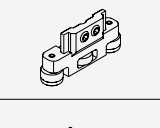
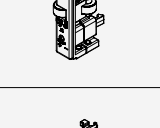
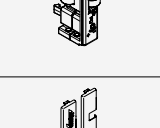
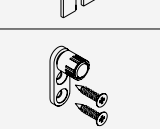
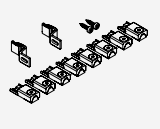

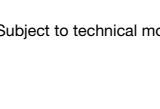
Continued table on next column

Table continued from previous column

|                                                                                     |                                                                                              |   |   |   |   |       |
|-------------------------------------------------------------------------------------|----------------------------------------------------------------------------------------------|---|---|---|---|-------|
|    | Rear scissor bearing, left, steel, zinc-plated                                               | 1 |   | 1 |   | 24117 |
|    | Rear scissor guide, aluminum, anodized                                                       | 1 | 1 | 1 | 1 | 25600 |
|    | Front scissor guide, aluminum, anodized                                                      | 1 | 1 | 1 | 1 | 25592 |
|    | Upright, 2500 mm (8'2 7/16"), aluminum, anodized                                             | 1 | 1 | 1 | 1 | 22056 |
|    | Connector connecting profile, bottom left/top right, 500 mm (1'7 11/16"), aluminum, anodized | 1 | 1 | 1 | 1 | 24170 |
|  | Connector connecting profile, bottom right/top left, 500 mm (1'7 11/16"), aluminum, anodized | 1 | 1 | 1 | 1 | 24171 |
|  | Interior connector, bottom left, 645 mm (2'1 13/32"), aluminum, anodized                     | 1 |   | 1 |   | 24021 |
|  | Interior connector, top left, 645 mm (2'1 13/32"), aluminum, anodized                        | 1 |   | 1 |   | 24107 |
|  | Exterior connector, bottom left/top right, 645 mm (2'1 13/32"), aluminum, anodized           | 1 | 1 | 1 | 1 | 24027 |
|  | Exterior connector, bottom right/top left, 645 mm (2'1 13/32"), aluminum, anodized           | 1 | 1 | 1 | 1 | 24028 |
|  | Running track, left, 748 mm (2'5 7/16"), aluminum, anodized                                  | 1 |   | 1 |   | 24744 |

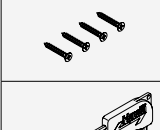
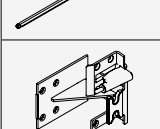
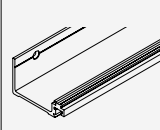
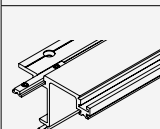
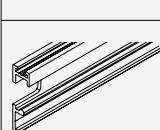
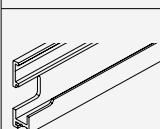
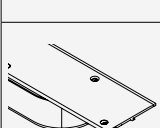
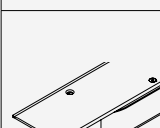
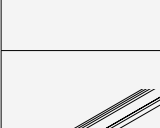
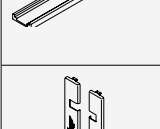
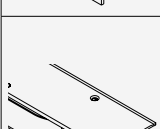

Continued table on next page

Table continued from previous page

|                                                                                     |                                                                                     |   |   |   |   |       |
|-------------------------------------------------------------------------------------|-------------------------------------------------------------------------------------|---|---|---|---|-------|
|    | Bottom guide channel, left, 748 mm (2'5 7/16"), aluminum, anodized                  | 1 | 1 |   |   | 24746 |
|    | Running track, with left-hand curve piece, 1420 mm (4'7 29/32"), aluminum, anodized | 1 |   |   |   | 24070 |
|    | Adapter for running track, plastic, anthracite-grey, 4 pieces                       | 1 | 1 | 1 | 1 | 23645 |
|    | Brush guide, plastic, black, set of 3 pieces                                        | 1 | 1 | 1 | 1 | 25815 |
|   | Covering screen for door clearance, aluminum, anodized                              | 1 | 1 |   |   | 23541 |
|  | Soft closing system for end position, with cover caps, plastic, black               | 1 | 1 | 1 | 1 | 25887 |
|  | Pivot door damper, plastic, anthracite-grey                                         | 1 | 1 | 1 | 1 | 24063 |
|  | Upright guide, rattle proof, with plastic rollers                                   | 1 | 1 | 1 | 1 | 25656 |
|  | Stop cover cap, Hawa Folding Concepta, depth adjustable, top left/bottom right      | 1 | 1 | 1 | 1 | 27659 |
|  | Stop cover cap, Hawa Folding Concepta, depth adjustable, top right/bottom left      | 1 | 1 | 1 | 1 | 27660 |
|  | Cover plates, stainless steel, 1 pair                                               | 1 | 1 |   |   | 24739 |
|  | Stop bumper adjustable, plastic, anthracite-grey                                    | 1 | 1 | 1 | 1 | 23562 |
|  | Fixing parts for covering screen for door clearance, set of 4 pieces                | 1 | 1 | 1 | 1 | 24306 |
|  | Screw set, 4.5x20 mm, 40 pieces                                                     | 1 | 1 | 1 | 1 | 24032 |

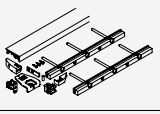
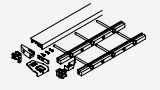
Continued table on next column

Table continued from previous column

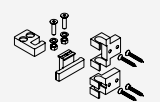
|                                                                                         |                                                                                            |   |   |   |   |       |
|-----------------------------------------------------------------------------------------|--------------------------------------------------------------------------------------------|---|---|---|---|-------|
|        | Screw set, 5x35 mm, 4 pieces                                                               | 1 | 1 | 1 | 1 | 24111 |
|  | Allen key, with handle, 3 mm (1/8")                                                        | 1 | 1 | 1 | 1 | 13164 |
|        | Rear scissor bearing, right, galvanized steel                                              |   | 1 |   | 1 | 24097 |
|        | Interior connector, bottom right, 645 mm (2'1 13/32"), aluminum, anodized                  |   | 1 |   | 1 | 24022 |
|       | Interior connector, top right, 645 mm (2'1 13/32"), aluminum, anodized                     |   | 1 |   | 1 | 24108 |
|      | Running track, right, 748 mm (2'5 7/16"), aluminium, anodized                              |   | 1 |   | 1 | 24745 |
|      | Bottom guide channel, right, 748 mm (2'5 7/16"), aluminium, anodized                       |   | 1 |   | 1 | 24747 |
|      | Running track, with right-hand curve piece, aluminum, anodized                             |   | 1 |   |   | 24071 |
|      | Running track, with left-hand curve piece, 1420 mm (4'7 29/32"), aluminum, black anodized  |   |   | 1 |   | 25484 |
|      | Covering screen for door clearance, 2620 mm (8'7 5/32"), aluminum, black anodized          |   |   | 1 | 1 | 25504 |
|      | Cover plates, stainless steel, black, 1 pair                                               |   |   | 1 | 1 | 25865 |
|      | Running track, with right-hand curve piece, 1420 mm (4'7 29/32"), aluminum, black anodized |   |   |   | 1 | 25485 |



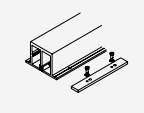
**Base profiles**

|                                                                                   |                                         | mm<br>(inch)          | No.   |
|-----------------------------------------------------------------------------------|-----------------------------------------|-----------------------|-------|
|  | Base profile, aluminium, anodized       | 1,300<br>(4' 3 3/16") | 24004 |
|  | Base profile, aluminium, black anodized | 1,300<br>(4' 3 3/16") | 25479 |

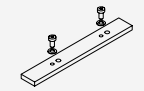

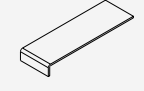
**Closing piston for espagnolette lock TERZA**  
 Suitable for normal commercial espagnolette locks  
 with a profile bar diameter of 8 mm (5/16").

|                                                                                   |                                                                                    | No.   |
|-----------------------------------------------------------------------------------|------------------------------------------------------------------------------------|-------|
|  | Lock catch and bracket for espagnolette lock, 2 pieces for 1 pair of folding doors | 24005 |

**Reinforcement profiles**

|                                                                                   |                                                                                              | mm<br>(inch)         | No.   |
|-----------------------------------------------------------------------------------|----------------------------------------------------------------------------------------------|----------------------|-------|
|  | Reinforcement profile, with running track connection plate, aluminium, anodized, pre-drilled | 2,600<br>(8' 6 3/8") | 24322 |
|                                                                                   | Reinforcement profile, without connection plate, aluminium, anodized, pre-drilled            | cut to size          | 24281 |

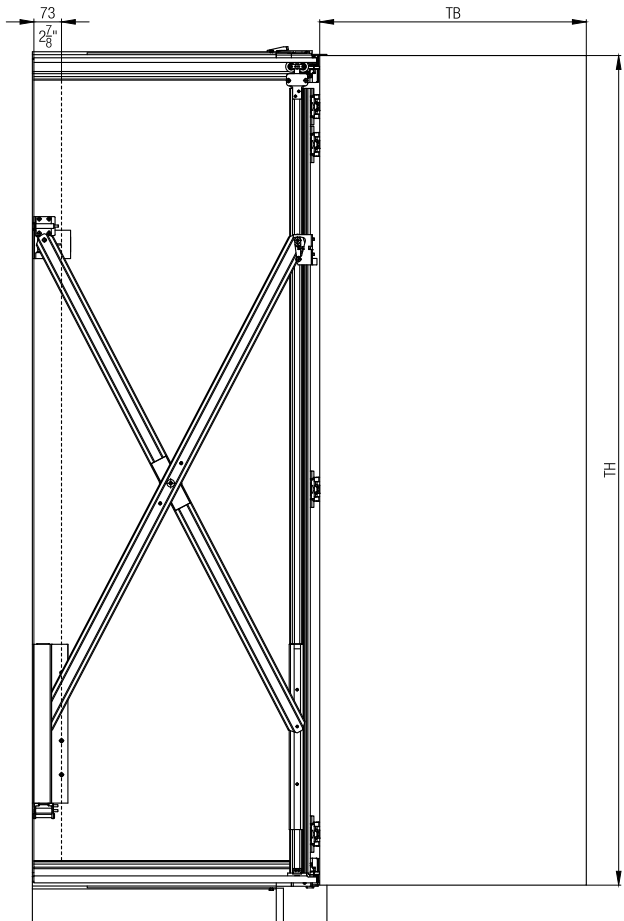
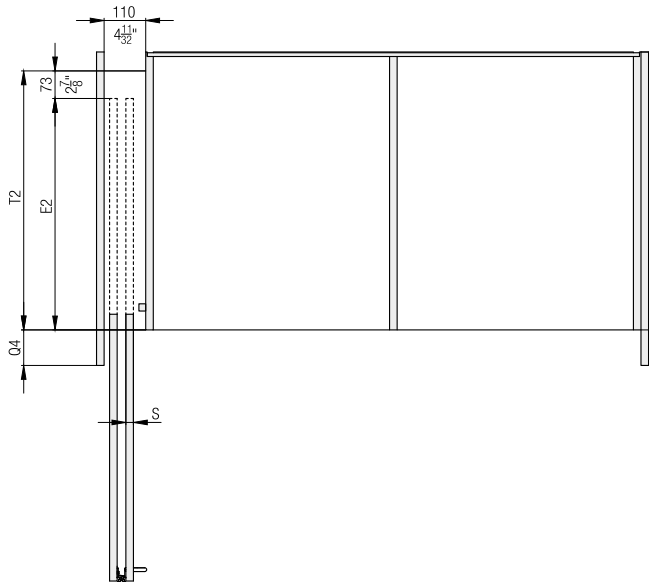
**Accessories**

|                                                                                    |                                                                           | No.   |
|------------------------------------------------------------------------------------|---------------------------------------------------------------------------|-------|
|   | Running track connection plate, aluminium, anodized, pre-drilled          | 24321 |
|   | Magnetic centering part, with including drilling jig, aluminium, anodized | 24006 |
|  | Center joint cover for running track, aluminium, anodized                 | 27781 |
|                                                                                    | Center joint cover for running track, aluminium, black anodized           | 27782 |

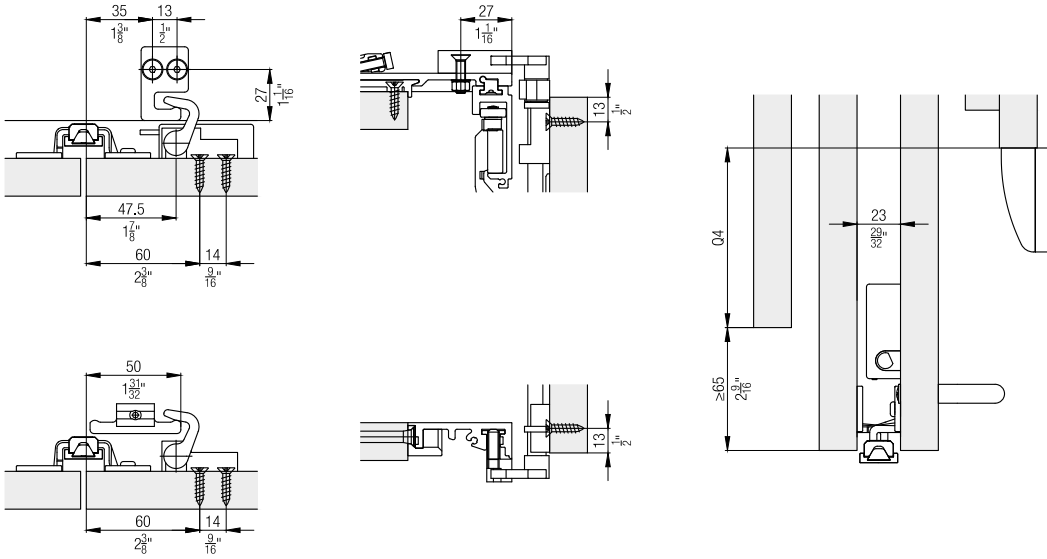
**Fitting depth calculations**

|                                |                                 |
|--------------------------------|---------------------------------|
| $T2 = TB + 73 \text{ mm} - Q4$ | $T2 = TB + 2\frac{7}{8}'' - Q4$ |
| $E2 = T2 - 73 \text{ mm}$      | $E2 = T2 - 2\frac{7}{8}''$      |
| $Q4 = 75 \text{ mm} + S$       | $Q4 = 2\frac{15}{16}'' + S$     |

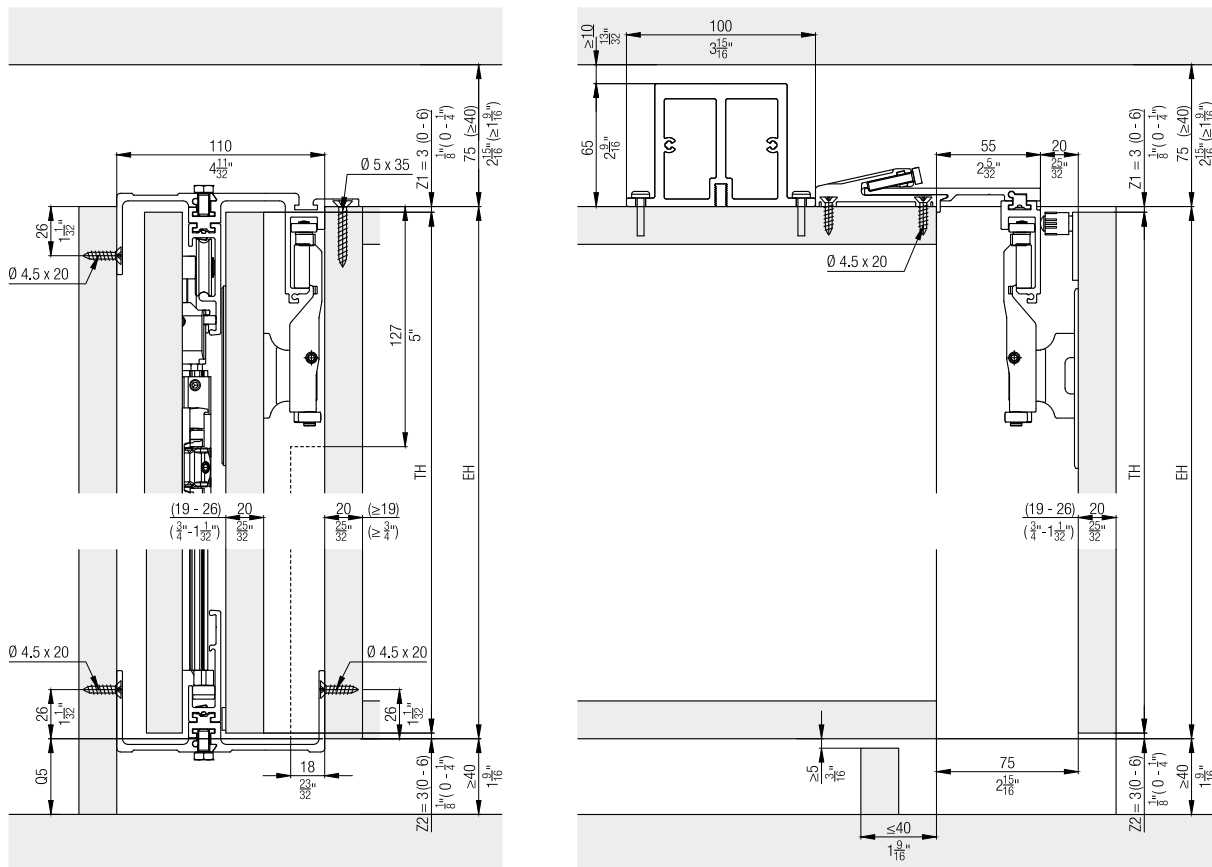
| T2       | TH             | E2       | T2                                     | TH                                                                        | E2                                      |
|----------|----------------|----------|----------------------------------------|---------------------------------------------------------------------------|-----------------------------------------|
| ≤ 680 mm | 1250 - 1850 mm | ≤ 607 mm | ≤ 2' 2 <sup>25</sup> / <sub>32</sub> " | 4' 1 <sup>7</sup> / <sub>32</sub> " - 6' 2 <sup>7</sup> / <sub>32</sub> " | ≤ 1' 11 <sup>29</sup> / <sub>32</sub> " |
| ≤ 680 mm | 1851 - 2600 mm | ≤ 607 mm | ≤ 2' 2 <sup>25</sup> / <sub>32</sub> " | 6' 7 <sup>7</sup> / <sub>8</sub> " - 8' 6 <sup>3</sup> / <sub>8</sub> "   | ≤ 1' 11 <sup>29</sup> / <sub>32</sub> " |



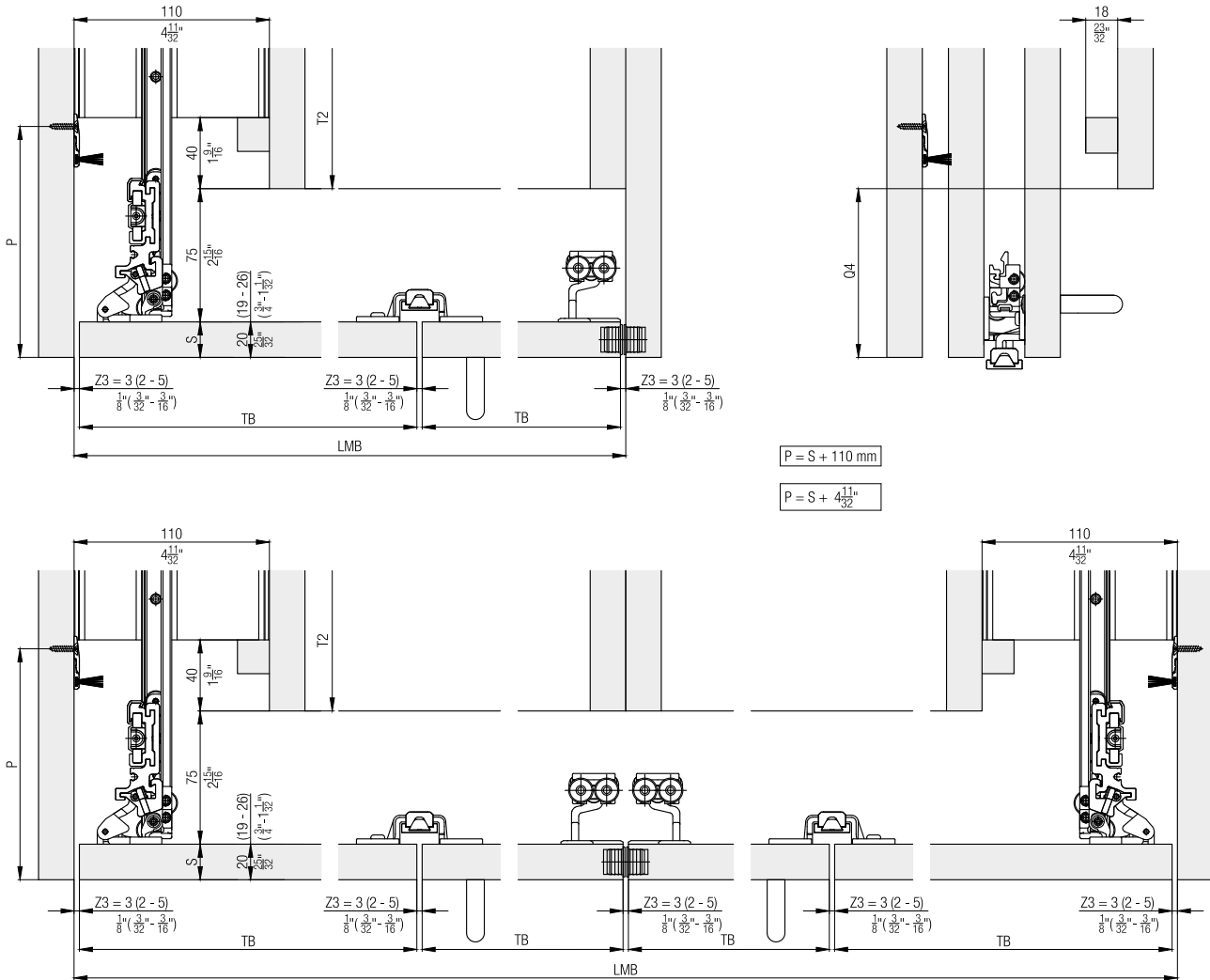
**Espagnolette lock installation details**



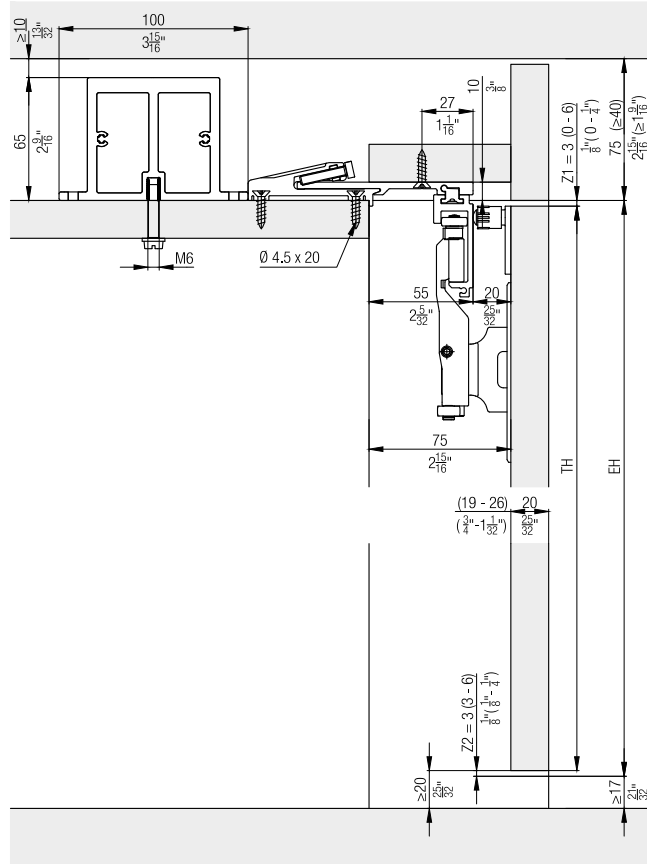
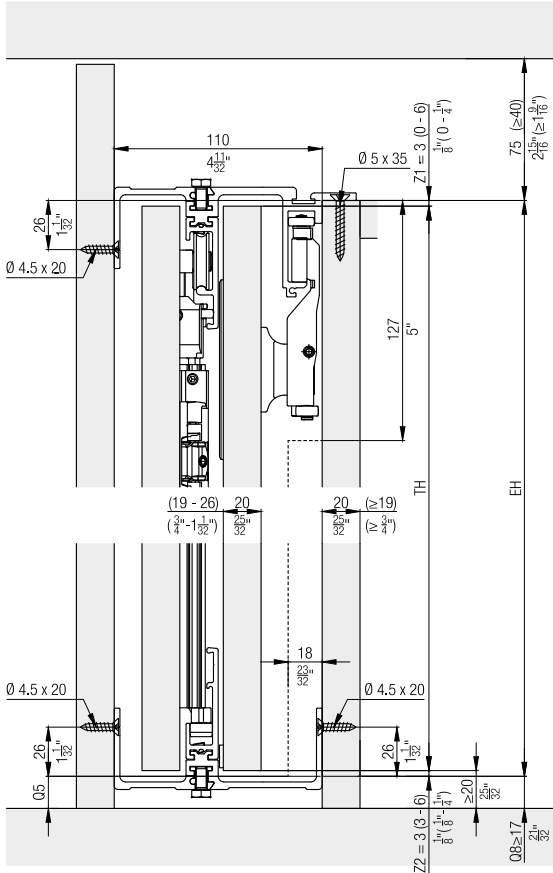
**Further installation examples**  
**Front-hung cabinet fronts without base profile, 2 and 4 doors**



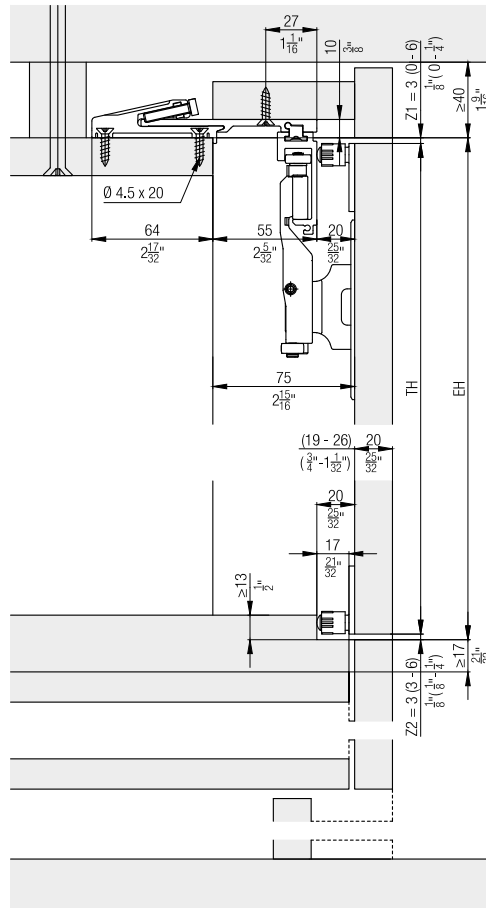
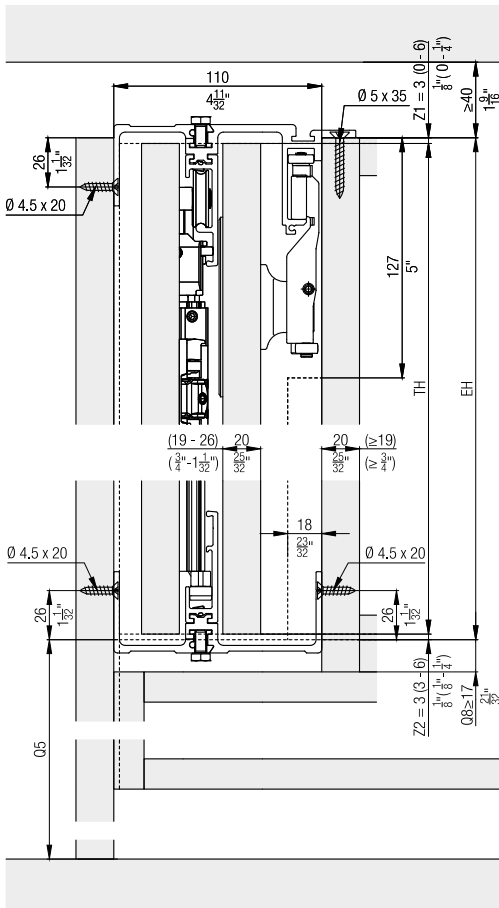
Systems without base profile, 2 and 4 doors



Room-high cabinet fronts, 2 and 4 doors

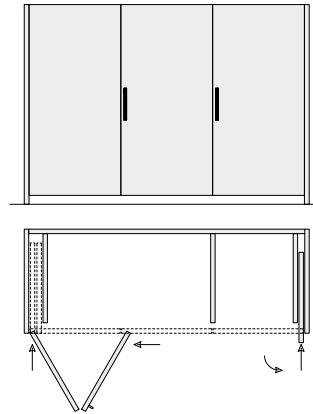


Superstructure cabinet fronts, 2 and 4 doors



**Set for 3-door systems in combination with  
Hawa Concepta 30/40/50, door height 1851 to  
2600 mm (6' 7/8" to 8'6 3/8")**

|                                                                                | No.   |
|--------------------------------------------------------------------------------|-------|
| Hawa Folding Concepta 25, left, aluminum, anodized, for 3 doors systems        | 27644 |
| Hawa Folding Concepta 25, right, aluminum, anodized, for 3 doors systems       | 27645 |
| Hawa Folding Concepta 25, left, aluminum, black anodized, for 3 doors systems  | 27646 |
| Hawa Folding Concepta 25, right, aluminum, black anodized, for 3 doors systems | 27647 |



| Set consisting of:                                               |       |       |       |       | No.   |
|------------------------------------------------------------------|-------|-------|-------|-------|-------|
|                                                                  | 27644 | 27645 | 27646 | 27647 |       |
| Scissor action complete, 1500 mm (4'11 1/16"), steel, galvanized | 1     | 1     | 1     | 1     | 22594 |
| Two-wheeled running gear, height-adjustable, zinc-plated matt    | 1     | 1     | 1     | 1     | 24686 |
| Single-wheeled running gear, for folding door, nickel-plated     | 1     | 1     | 1     | 1     | 24054 |
| Concealed press-fit cup, matt nickel-plated                      | 1     | 1     | 1     | 1     | 23409 |
| Concealed hinge with damper, nickel-plated, 4 pieces             | 1     | 1     | 1     | 1     | 27655 |
| Centre concealed hinge, dull nickel finish, set of 4 pieces      | 1     | 1     | 1     | 1     | 24218 |
| Set of screws for concealed hinges, PH 4x20 mm (25/32")          | 1     | 1     | 1     | 1     | 25936 |
| Rear scissor bearing, left, steel, zinc-plated                   | 1     |       | 1     |       | 24117 |
| Rear scissor guide, aluminum, anodized                           | 1     | 1     | 1     | 1     | 25600 |
| Front scissor guide, aluminum, anodized                          | 1     | 1     | 1     | 1     | 25592 |

Continued table on next column

Table continued from previous column

|                                                                                              |   |   |   |   |       |
|----------------------------------------------------------------------------------------------|---|---|---|---|-------|
| Upright, 2500 mm (8'2 7/16"), aluminum, anodized                                             | 1 | 1 | 1 | 1 | 22056 |
| Connector connecting profile, bottom left/top right, 500 mm (1'7 11/16"), aluminum, anodized | 1 | 1 | 1 | 1 | 24170 |
| Connector connecting profile, bottom right/top left, 500 mm (1'7 11/16"), aluminum, anodized | 1 | 1 | 1 | 1 | 24171 |
| Interior connector, bottom left, 645 mm (2'1 13/32"), aluminum, anodized                     | 1 |   | 1 |   | 24021 |
| Interior connector, top left, 645 mm (2'1 13/32"), aluminum, anodized                        | 1 |   | 1 |   | 24107 |
| Exterior connector, bottom left/top right, 645 mm (2'1 13/32"), aluminum, anodized           | 1 | 1 | 1 | 1 | 24027 |
| Exterior connector, bottom right/top left, 645 mm (2'1 13/32"), aluminum, anodized           | 1 | 1 | 1 | 1 | 24028 |

Continued table on next page

Table continued from previous page

|  |                                                                                                                   |   |   |   |   |       |
|--|-------------------------------------------------------------------------------------------------------------------|---|---|---|---|-------|
|  | Running track, left, 748 mm (2'5 7/16"), aluminum, anodized                                                       | 1 | 1 |   |   | 24744 |
|  | Bottom guide channel, left, 748 mm (2'5 7/16"), aluminum, anodized                                                | 1 | 1 |   |   | 24746 |
|  | Running track, with left-hand curve piece, 2120 mm (6'11 15/32") aluminium, anodized                              | 1 |   |   |   | 24913 |
|  | Adapter for running track, plastic, anthracite, 6 pieces, for cabinet width 1421-2120 mm (4'7 15/16"-6'11 15/32") | 1 | 1 | 1 | 1 | 24870 |
|  | Brush guide, plastic, black, set of 3 pieces                                                                      | 1 | 1 | 1 | 1 | 25815 |
|  | Covering screen for door clearance, aluminum, anodized                                                            | 1 | 1 |   |   | 23541 |
|  | Soft closing system for end position, with cover caps, plastic, black                                             | 1 | 1 | 1 | 1 | 25887 |
|  | Pivot door damper, plastic, anthracite-gray                                                                       | 1 | 1 | 1 | 1 | 24063 |
|  | Upright guide, rattle proof, with plastic rollers                                                                 | 1 | 1 | 1 | 1 | 25656 |
|  | Stop cover cap, Hawa Folding Concepta, depth adjustable, top left/bottom right                                    | 1 | 1 | 1 | 1 | 27659 |
|  | Stop cover cap, Hawa Folding Concepta, depth adjustable, top right/bottom left                                    | 1 | 1 | 1 | 1 | 27660 |
|  | Cover plates, stainless steel, 1 pair                                                                             | 1 | 1 |   |   | 24739 |
|  | Stop bumper adjustable, plastic, anthracite-grey                                                                  | 2 | 2 | 2 | 2 | 23562 |


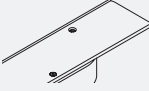
Continued table on next column

Table continued from previous column

|  |                                                                                            |   |   |   |   |       |
|--|--------------------------------------------------------------------------------------------|---|---|---|---|-------|
|  | Fixing parts for covering screen for door clearance, set of 4 pieces                       | 1 | 1 | 1 | 1 | 24306 |
|  | Screw set, 4.5x20 mm, 40 pieces                                                            | 1 | 1 | 1 | 1 | 24032 |
|  | Screw set, 5x35 mm, 4 pieces                                                               | 1 | 1 | 1 | 1 | 24111 |
|  | Allen key, with handle, 3 mm (1/8")                                                        | 1 | 1 | 1 | 1 | 13164 |
|  | Rear scissor bearing, right, galvanized steel                                              |   | 1 |   | 1 | 24097 |
|  | Interior connector, bottom right, 645 mm (2'1 13/32"), aluminum, anodized                  |   | 1 |   | 1 | 24022 |
|  | Interior connector, top right, 645 mm (2'1 13/32"), aluminum, anodized                     |   | 1 |   | 1 | 24108 |
|  | Running track, right, 748 mm (2'5 7/16"), aluminium, anodized                              |   | 1 |   | 1 | 24745 |
|  | Bottom guide channel, right, 748 mm (2'5 7/16"), aluminium, anodized                       |   | 1 |   | 1 | 24747 |
|  | Running track, with right-hand curve piece, 2120 mm (6'11 15/32") aluminium, anodized      |   | 1 |   |   | 24914 |
|  | Running track, with left-hand curve piece, 2120 mm (6'11 15/32"), aluminum, black anodized |   |   |   | 1 | 25486 |
|  | Covering screen for door clearance, 2620 mm (8'7 5/32"), aluminum, black anodized          |   | 1 |   | 1 | 25504 |

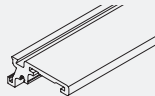



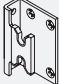
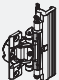
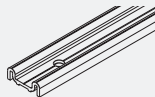

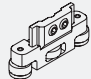
Continued table on next page

Table continued from previous page

|                                                                                   |                                                                                             |  |  |   |   |       |
|-----------------------------------------------------------------------------------|---------------------------------------------------------------------------------------------|--|--|---|---|-------|
|  | Cover plates, stainless steel, black, 1 pair                                                |  |  | 2 | 2 | 25865 |
|  | Running track, with right-hand curve piece, 2120 mm (6'11 15/32"), aluminum, black anodized |  |  |   | 1 | 25487 |

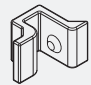
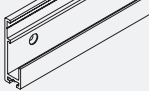
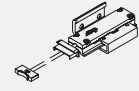
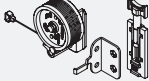
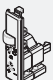
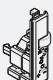
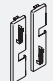
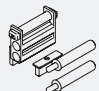



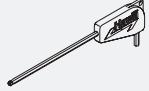
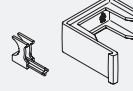
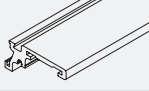

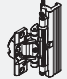
For 3-door cabinets, 1 Hawa Concepta 30, 40 or 50 set should also be ordered.

|                              | No.   |
|------------------------------|-------|
| Hawa Concepta 30, for 1 door | 27649 |
| Hawa Concepta 40, for 1 door | 27650 |
| Hawa Concepta 50, for 1 door | 27651 |

|                                                                                     |                                                                  | 27649 | 27650 | 27651 | No.   |
|-------------------------------------------------------------------------------------|------------------------------------------------------------------|-------|-------|-------|-------|
| <b>Set consisting of:</b>                                                           |                                                                  |       |       |       |       |
|  | Upright, 2300 mm (7'6 9/16"), alu plain, anodized                | 1     |       |       | 24699 |
|  | Scissor action, complete, steel, galvanized                      | 1     |       |       | 22593 |
|  | Front scissor guide, aluminum, anodized                          | 1     | 1     | 1     | 25592 |
|  | Rear scissor guide, aluminum, anodized                           | 1     | 1     | 1     | 25596 |
|  | Rear scissor bearing, 55 mm (2 5/32"), steel, galvanized         | 1     | 1     | 1     | 25855 |
|  | Concealed hinge with damper, nickel-plated, 3 pieces             | 1     |       |       | 27654 |
|  | Spacer profile, 860 mm (2'9 27/32"), pre-drilled, plastic, black | 1     | 1     | 1     | 22861 |
|  | Brush guide, plastic, black, set of 3 pieces                     | 1     | 1     | 1     | 25815 |
|  | Upright guide, rattle proof, with plastic rollers                | 2     | 1     | 1     | 25656 |

Continued table on next column

Table continued from previous column

|                                                                                     |                                                                             |   |   |   |       |
|-------------------------------------------------------------------------------------|-----------------------------------------------------------------------------|---|---|---|-------|
|    | Torsion plate                                                               | 1 |   |   | 27704 |
|    | Bottom guide channel, 896 mm (2'11 9/32"), aluminium, anodized, pre-drilled | 2 | 1 | 1 | 24535 |
|    | Stop damper, with retaining bracket                                         | 1 | 1 | 1 | 24660 |
|    | Door retractor 30/40, with damper, plastic, black                           | 1 | 1 |   | 25813 |
|    | Stop cover cap Hawa Concepta, depth adjustable, top left/bottom right       | 1 | 1 | 1 | 27657 |
|    | Stop cover cap Hawa Concepta, depth adjustable, top right/bottom left       | 1 | 1 | 1 | 27658 |
|   | Cover plates, stainless steel, 1 pair                                       | 1 | 1 | 1 | 24739 |
|  | Soft closing system for end position, with cover caps, plastic, black       | 1 | 1 | 1 | 25862 |
|  | Set of screws for concealed hinges, 4x16 mm (5/8"), set of 10 pieces        | 1 | 1 | 1 | 25935 |
|  | Screw set, 4,5x20 mm (25/32"), set of 22 pieces                             | 1 | 1 | 1 | 22451 |
|  | Set of screws for spacer profile, PH 4x16 mm (5/8"), set of 7 pieces        | 1 | 1 | 1 | 25562 |
|  | Allen key, with handle, 3 mm (1/8")                                         | 1 | 1 | 1 | 13164 |
|  | Installation aid, plastic, red                                              | 1 | 1 | 1 | 25816 |
|  | Upright, 2500 mm (8'2 7/16"), aluminum, anodized                            |   |   | 1 | 22056 |
|  | Scissor action complete, 1500 mm (4'11 1/16"), steel, galvanized            |   |   | 1 | 22594 |
|  | Concealed hinge with damper, nickel-plated, 4 pieces                        |   |   | 1 | 27655 |

Continued table on next column

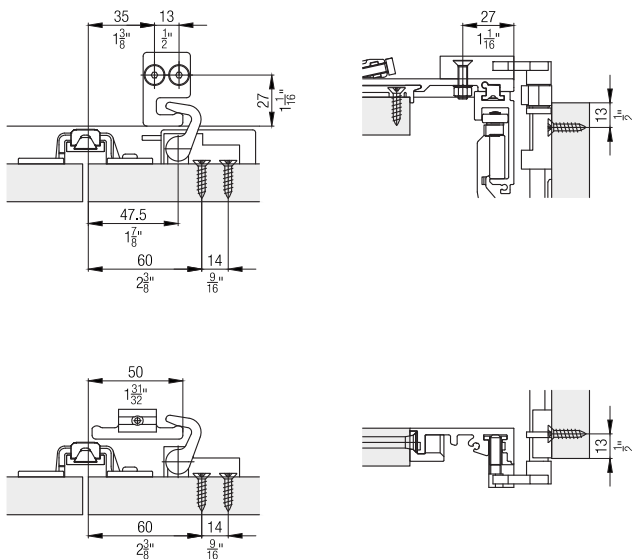
Table continued from previous page

|  |                                                                                   |   |   |       |
|--|-----------------------------------------------------------------------------------|---|---|-------|
|  | Two-wheeled running gear, height-adjustable, with torsion plate, zinc-plated matt | 1 | 1 | 24955 |
|  | Running track, 896 mm (2'11 9/32"), aluminium, anodized, pre-drilled              | 1 | 1 | 24528 |
|  | Upright, 2760 mm (9' 21/32"), aluminium, anodized                                 |   | 1 | 22057 |
|  | Concealed hinge with damper, nickel-plated, 5 pieces                              |   | 1 | 27656 |
|  | Door retractor 25/50, with damper, plastic, black                                 |   | 1 | 25814 |

**Base profiles**

|  |                                        | mm (inch)          | No.   |
|--|----------------------------------------|--------------------|-------|
|  | Base profile, aluminium, anodized      | 2,000 (6' 6 3/4 ") | 25481 |
|  | Base profile, aluminium black anodized | 2,000 (6' 6 3/4 ") | 25480 |

**Espagnolette lock installation details**



**Reinforcement profiles**

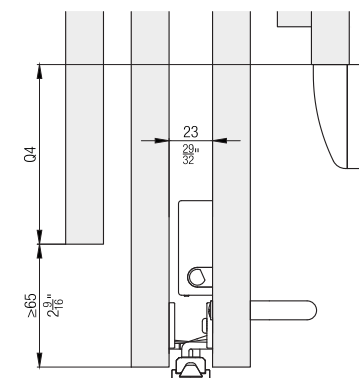
|  |                                                                                              | mm (inch)          | No.   |
|--|----------------------------------------------------------------------------------------------|--------------------|-------|
|  | Reinforcement profile, with running track connection plate, aluminium, anodized, pre-drilled | 2,600 (8' 6 3/8 ") | 24322 |
|  | Reinforcement profile, without connection plate, aluminium, anodized, pre-drilled            | cut to size        | 24281 |

**Closing piston for espagnolette lock TERZA Suitable for normal commercial espagnolette locks with a profile bar diameter of 8 mm (5/16").**

|  |                                                                                    | No.   |
|--|------------------------------------------------------------------------------------|-------|
|  | Lock catch and bracket for espagnolette lock, 2 pieces for 1 pair of folding doors | 24005 |

**Accessories**

|  |                                                                           | No.   |
|--|---------------------------------------------------------------------------|-------|
|  | Running track connection plate, aluminium, anodized, pre-drilled          | 24321 |
|  | Magnetic centering part, with including drilling jig, aluminium, anodized | 24006 |
|  | Center joint cover for running track, aluminium, anodized                 | 27781 |
|  | Center joint cover for running track, aluminium, black anodized           | 27782 |





Fitting depth calculations

|                                |                       |                |                       |
|--------------------------------|-----------------------|----------------|-----------------------|
| $T2 = TB + 73 \text{ mm} - Q4$ | T2                    | TH             | E2                    |
| $E2 = T2 - 73 \text{ mm}$      | $\leq 680 \text{ mm}$ | 1851 - 2600 mm | $\leq 607 \text{ mm}$ |
| $Q4 = 75 \text{ mm} + S$       |                       |                |                       |

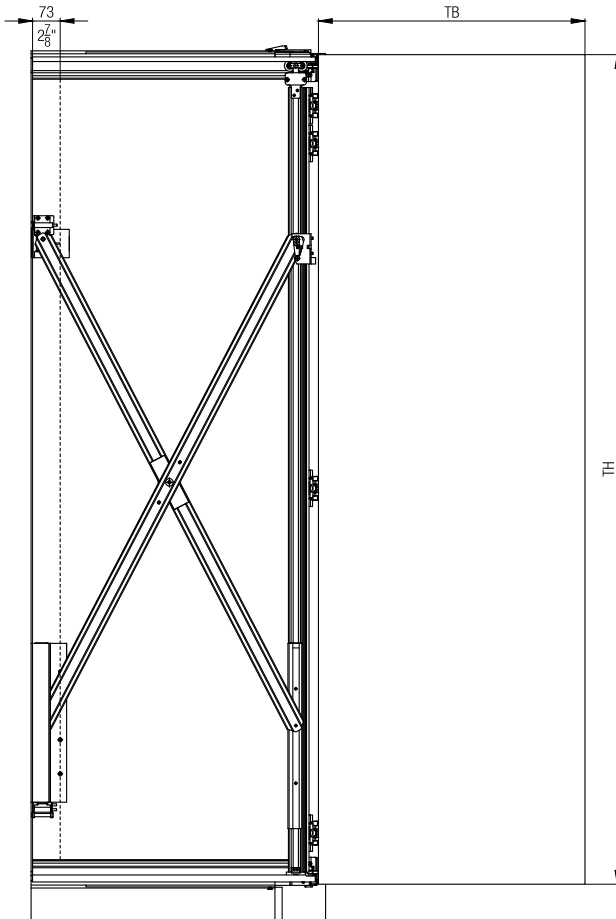
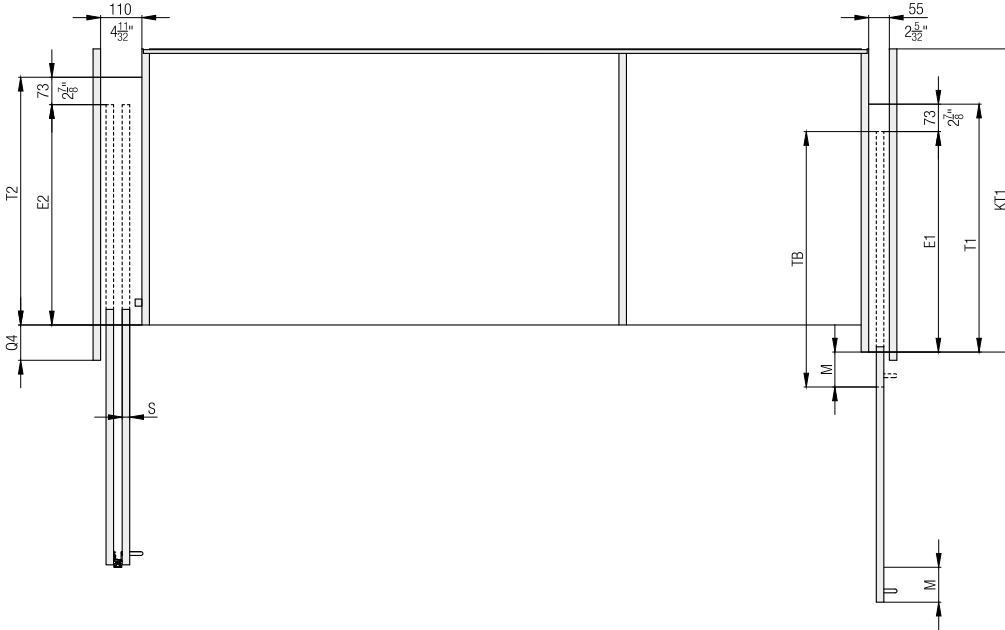
|                                 |                            |                                          |                             |
|---------------------------------|----------------------------|------------------------------------------|-----------------------------|
| $T2 = TB + 2\frac{7}{8}'' - Q4$ | T2                         | TH                                       | E2                          |
| $E2 = T2 - 2\frac{7}{8}''$      | $\leq 2' 2\frac{25}{32}''$ | 6' $\frac{7}{8}''$ - 8' $\frac{63}{8}''$ | $\leq 1' 11\frac{29}{32}''$ |
| $Q4 = 2\frac{5}{16}'' + S$      |                            |                                          |                             |

|                               |                       |                |              |
|-------------------------------|-----------------------|----------------|--------------|
| $T1 = TB - M + 73 \text{ mm}$ | T1                    | TH             | E1           |
| $E1 = T1 - 73 \text{ mm}$     | $\leq 900 \text{ mm}$ | 1851 - 2300 mm | 300 - 827 mm |
|                               | $\leq 900 \text{ mm}$ | 1851 - 2500 mm | 300 - 827 mm |
|                               | $\leq 900 \text{ mm}$ | 2301 - 2850 mm | 300 - 827 mm |

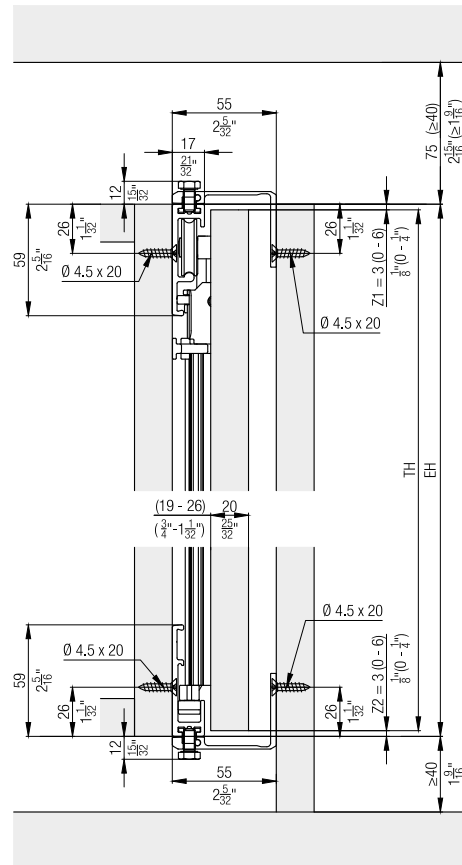
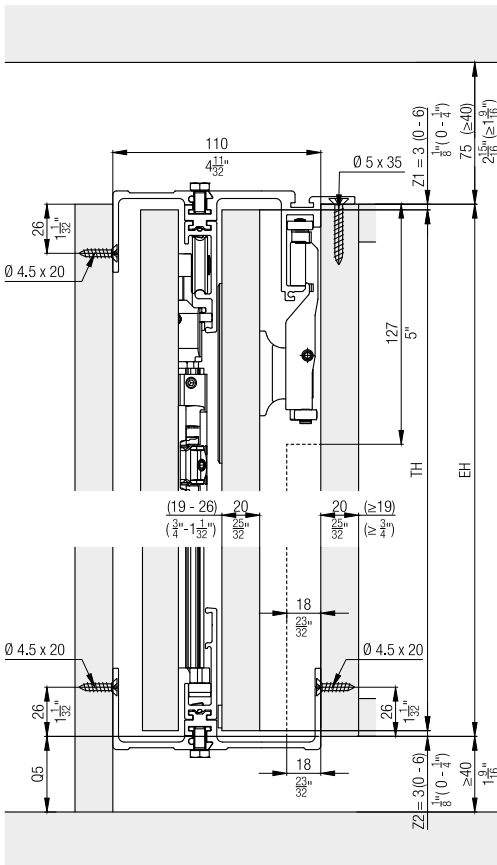
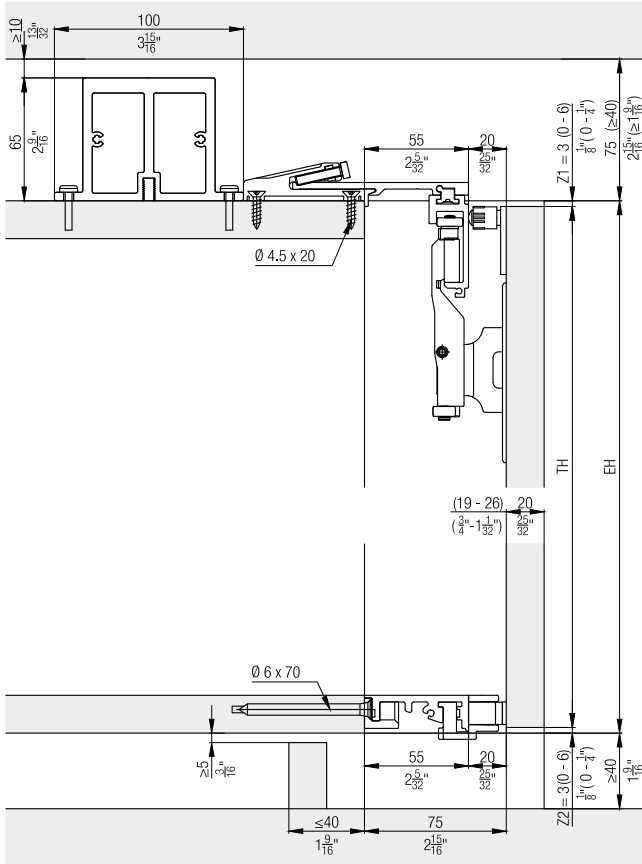
|                  |                       |                |              |
|------------------|-----------------------|----------------|--------------|
|                  | T1                    | TH             | E1           |
| Hawa Concepta 30 | $\leq 900 \text{ mm}$ | 1851 - 2300 mm | 300 - 827 mm |
| Hawa Concepta 40 | $\leq 900 \text{ mm}$ | 1851 - 2500 mm | 300 - 827 mm |
| Hawa Concepta 50 | $\leq 900 \text{ mm}$ | 2301 - 2850 mm | 300 - 827 mm |

|                                |                            |                                              |                                             |
|--------------------------------|----------------------------|----------------------------------------------|---------------------------------------------|
| $T1 = TB - M + 2\frac{7}{8}''$ | T1                         | TH                                           | E1                                          |
| $E1 = T1 - 2\frac{7}{8}''$     | $\leq 2' 11\frac{7}{16}''$ | 6' $0\frac{7}{8}''$ - 7' $6\frac{9}{16}''$   | 11 $\frac{13}{16}''$ - 2' $8\frac{9}{16}''$ |
|                                | $\leq 2' 11\frac{7}{16}''$ | 6' $0\frac{7}{8}''$ - 8' $2\frac{7}{16}''$   | 11 $\frac{13}{16}''$ - 2' $8\frac{9}{16}''$ |
|                                | $\leq 2' 11\frac{7}{16}''$ | 7' $6\frac{19}{32}''$ - 9' $4\frac{7}{32}''$ | 11 $\frac{13}{16}''$ - 2' $8\frac{9}{16}''$ |

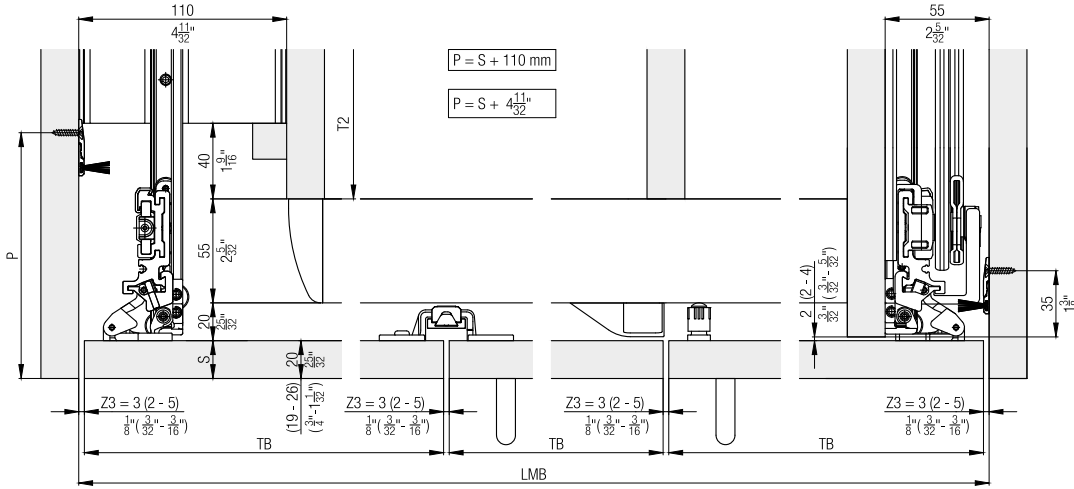
|                  |                            |                                              |                                             |
|------------------|----------------------------|----------------------------------------------|---------------------------------------------|
|                  | T1                         | TH                                           | E1                                          |
| Hawa Concepta 30 | $\leq 2' 11\frac{7}{16}''$ | 6' $0\frac{7}{8}''$ - 7' $6\frac{9}{16}''$   | 11 $\frac{13}{16}''$ - 2' $8\frac{9}{16}''$ |
| Hawa Concepta 40 | $\leq 2' 11\frac{7}{16}''$ | 6' $0\frac{7}{8}''$ - 8' $2\frac{7}{16}''$   | 11 $\frac{13}{16}''$ - 2' $8\frac{9}{16}''$ |
| Hawa Concepta 50 | $\leq 2' 11\frac{7}{16}''$ | 7' $6\frac{19}{32}''$ - 9' $4\frac{7}{32}''$ | 11 $\frac{13}{16}''$ - 2' $8\frac{9}{16}''$ |



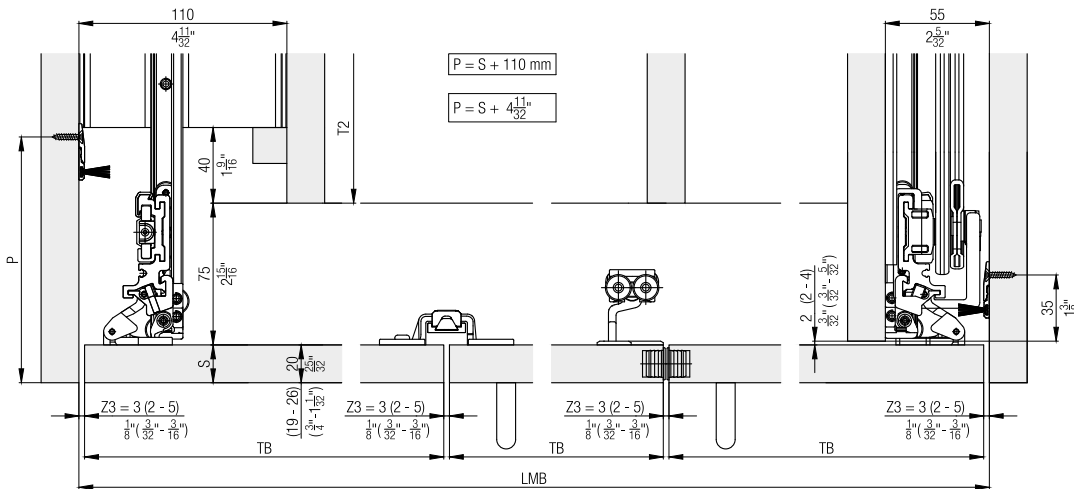
**Further installation examples**  
**Front-hung cabinet fronts with base profile, 3 doors**



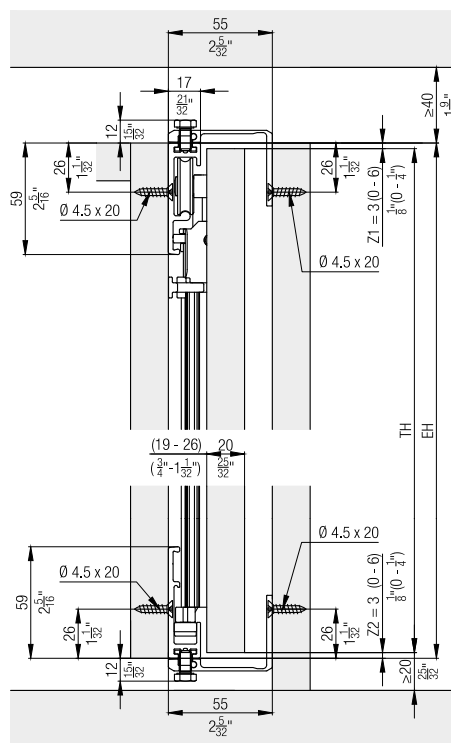
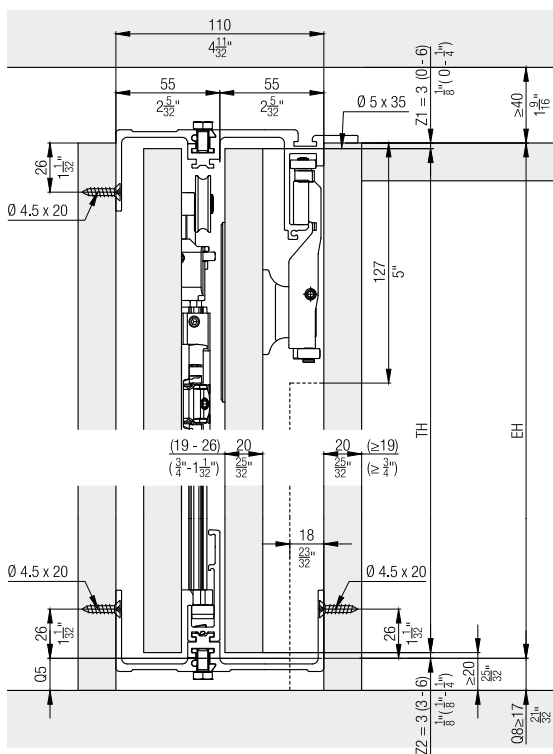
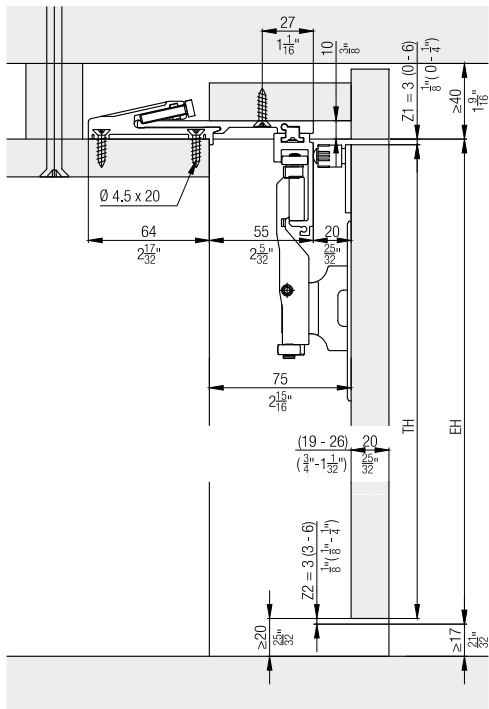
Systems with base profile, 3 doors



Systems without base profile, 3 doors



## Room-high cabinet fronts without base profile, 3 doors



### Accessories

- Straightening fitting from page 236

### Planning/execution

Configure with just a few clicks on [www.foldingconcepta.hawa.com](http://www.foldingconcepta.hawa.com)

Further information about the product can be found on [www.hawa.com](http://www.hawa.com).  
For manufacturing reasons, running tracks may have slight colour differences.



# Everything for more openness and transparency

## Solutions for glass applications

---

The natural aesthetics of glass, combined with the well thought-out functionality of our sliding systems: A fantastic recipe for success which creates freedom in the furniture and for its planners and fabricators. And does not only make innovative constructions with glass possible, but provides the inspiration for them time and time again.



### Glass sliding doors

Modern living has a tendency towards reduction, which is therefore increasing the functional and design demands which are made of each individual furniture item. Sliding doors made from glass take on this challenge: They visually enhance constructions, make exciting material combinations possible and set interesting accents in any environment. The versatile range of pioneering hardware solutions from Hawa Sliding Solutions brings out all of these advantages with the best sliding characteristics, a filigree design and innovative technology in a perfect way.



Discover our fitting solutions  
for glass sliding doors  
from **Page 198**