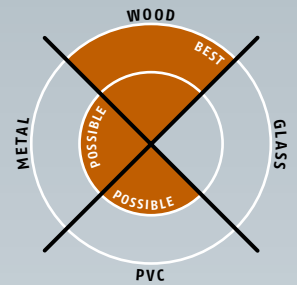


# Planet SN (sliding door) → 22 x 30 mm | ↓ 7–16 mm | ≤ 44 dB

DOOR MATERIAL



## Main features

- Planet SN for sliding doors
- No lock needed because of **zero-force release**
- Seal height ↓ **7–16 mm**
- Floor guide SN kit – versions short (standard) and long (as option) – **for door gap 7–10 / 10–13 / 13–16 mm**
- Release force only **1 N/m**
- Release through floor guide with parallel drop-down
- Compact space-saving solution with integrated floor guiding groove
- Automatic compensation at inclined floors
- Acoustic insulation up to **≤ 44 dB** in case of an optimal sealing (at an air-gap of 7 mm)
- High-grade silicone lip
- Can be shortened up to the next shorter length on stock
- Seal easily removed by detaching end brackets
- 7 years warranty

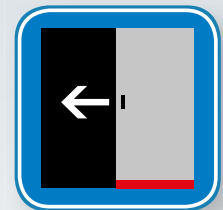
## Versions / options

- Planet SN → RD ≤ 44 dB, smoke-shielding
- Closing DIN L or DIN R
- Special versions on request

## Door types with Planet SN

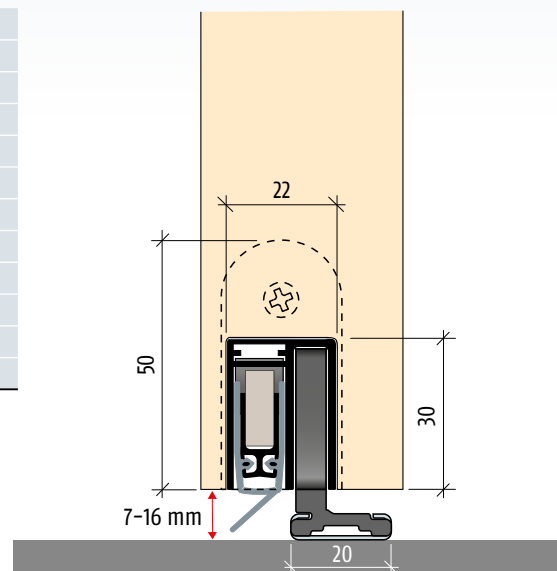


## More functions



## Technical specifications

Profile material	aluminum, → 22 x 30 mm
Groove size	□ width 22,1 mm with depth 30,5 up to 35 mm
Seal profile	high-grade silicon
Seal height	↓ 7–16 mm
Floor guides	incl. 3 pcs. for door gap 7–10 / 10–13 / 13–16 mm
Sound absorption value	up to ≤ 44 dB at 7 mm space to the floor
Lengths in stock	800, 925, 1050, 1175, 1300, 1425, 1550, 1675 mm
Special lengths	on request up to 6000 mm
Release	integrated in the floor guide → <b>invisible</b>
Can be shortened	125 mm (+ 45 mm max. at gearing side)
Fastening	laterally with stainless steel angle brackets
Test approvals	on request

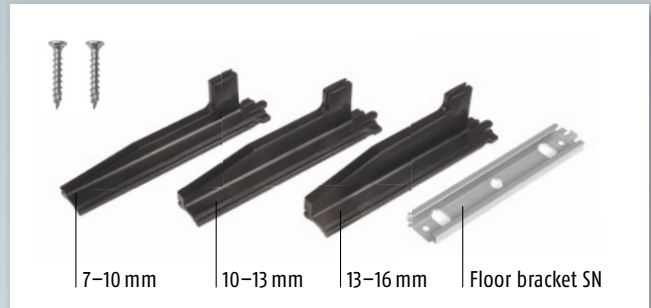




Planet SN profile with floor guide



Planet assembly set SN



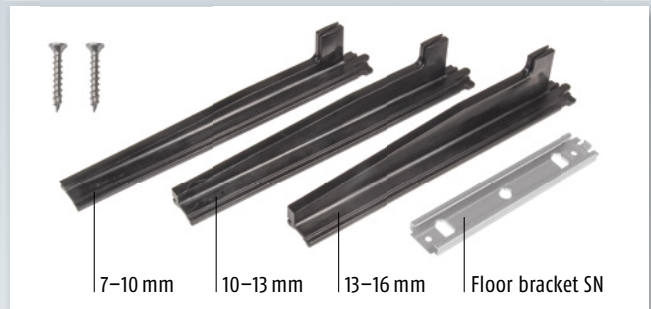
Floor guide SN kit short (standard) including 3 ramped guides SN for door gap 7-16 mm and floor bracket SN for screwing



Planet SN installed



Planet SN installed with floor guide SN



Floor guide SN kit long (option) including 3 ramped guides SN long for door gap 7-16 mm and floor bracket SN for screwing

Order specifications

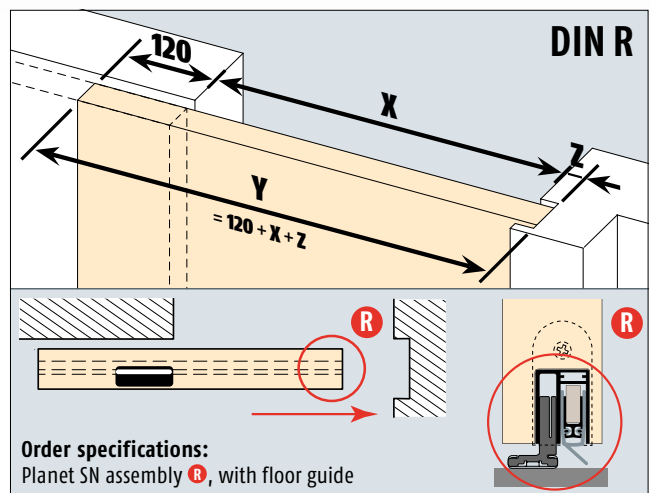
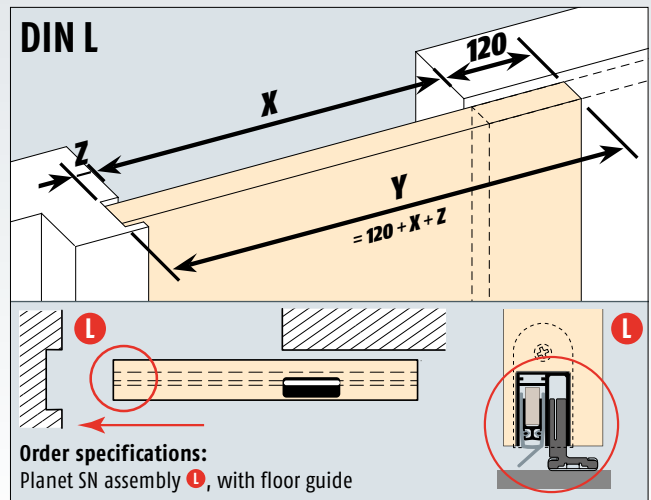
**Planet SN → RD** ≤ 44 dB  
incl. Planet assembly Set SN and floor guide SN kit, short for door gap 7-16 mm  
Prod. code 105xxx L | R\*

Closing DIN L or DIN R → refer to illustration on the right

\* xxx = refer to price list for profile length

Accessories | Options

<b>Planet floor guide SN kit, short, DIN R</b> for door gap 7-10 / 10-13 / 13-16 mm (standard)	Prod. code 902035
<b>Planet floor guide SN kit, short, DIN L</b> for door gap 7-10 / 10-13 / 13-16 mm (standard)	Prod. code 902036
<b>Planet floor guide SN kit, long, DIN R</b> for door gap 7-10 / 10-13 / 13-16 mm (option)	Prod. code 902037
<b>Planet floor guide SN kit, long, DIN L</b> for door gap 7-10 / 10-13 / 13-16 mm (option)	Prod. code 902038
<b>Planet assembly Set SN for wood, DIN R</b>	Prod. code 902033
<b>Planet assembly Set SN for wood, DIN L</b>	Prod. code 902034



Advertising text

**Planet SN → RD (smoke-shielding)** ≤ 44 dB

Automatic door drop-down seal **Planet SN → RD** ≤ 44 dB, for sound absorption and smoke-shielding sliding doors, release through floor guide with parallel drop-down, seal height ↓ 7-10 / 10-13 / 13-16 mm, flush to put in groove. Silicone lip, lateral fastening incl. floor guide. Aluminum profile → 22 x 30 mm.