



# TECHNICAL SPECIFICATIONS

P2993-BBSN LATCHING HANDLE

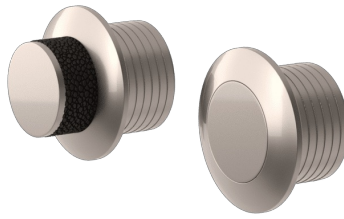
ROUND ON ROUND - SHAGREEN RECESS AMALFINE IN BLACK BRONZE AND SATIN NICKEL



BLACK BRONZE (BB)



SATIN NICKEL (SN)



Latch sold separately

36<sub>max</sub> length (l) | 3<sub>max</sub> projection (p) | 36<sub>max</sub> max grip width (w)

Dimensional Tolerance +/- 1.5<sub>mm</sub>

NOT TO SCALE

## OTHER FINISH OPTIONS

### Amalfine Finishes



BLACK BRONZE BB

COCOA CO

ALUPEWT AP

SILVER BRONZE SB

SAND SA



BRIGHT CHROME BC

SATIN NICKEL SN

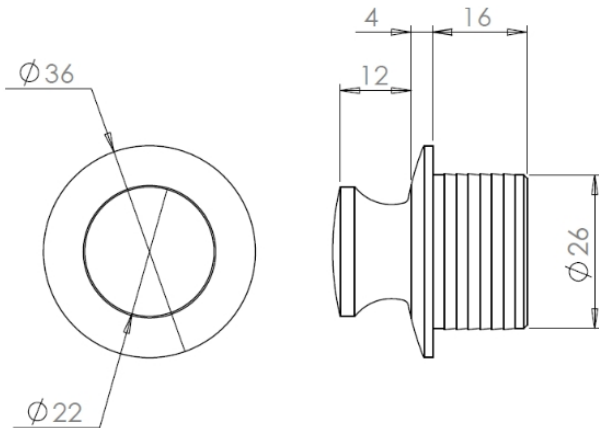
POLISHED NICKEL PN

POLISHED BRASS PU

FINE ANTIQUE BRASS FA

VINTAGE NICKEL VN

VINTAGE PATINA VP



Recommended latch PLK0210  
contact sales for details



TURNSTYLE DESIGNS LTD

Factory: Baron Way, Roundswell Business Park, Barnstaple, Devon, EX31 3TB, England  
+44 (0)1271 325325 - www.turnstyledesigns.com - sales@turnstyledesigns.com