

**Product data sheet**  
**Hinged seat 900.51.20040**

# HEWI

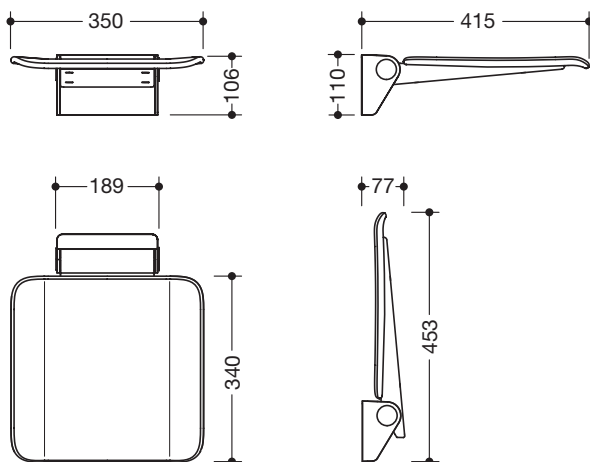


### Hinged seat 900.51.20040

- construction consisting of wall bracket and continuous seat
- slip-resistant, textured seat made of synthetic material in HEWI colours 98 (signal white) and 92 (anthracite grey)
- reinforcement of the seat made of aluminium, powder coated in the colour of the seat
- wall bracket made of stainless steel, chrome
- seat can be folded up to save space
- seat depth when folded up 77 mm
- weight capacity up to 150 kg
- 350 mm wide, 415 mm deep and 110 mm high
- seat 350 mm wide and 340 mm deep
- for mounting with non-corrosive and tested HEWI fixing materials for different wall systems (to be ordered separately)
- sealing tape for sealing the fixing points is included in the scope of supply



### Dimensions in mm



### Surface/Colours



### Alternative surfaces/colours



Powder coatings

Technical information subject to alteration, 16th August 2019

HEWI Heinrich Wilke GmbH  
Postfach 1260  
D-34442 Bad Arolsen

Telefon: +49 5691 82-366  
Telefax: +49 5691 82-99366  
international@hewi.com  
www.hewi.com

HEWI (UK) Limited  
Holm Oak Barn, Beluncle Halt  
Stoke Road  
Hoo Kent ME3 9NT

Phone +44 1634 258 200  
Fax +44 1634 250 099  
info@hewi.co.uk  
www.hewi.com