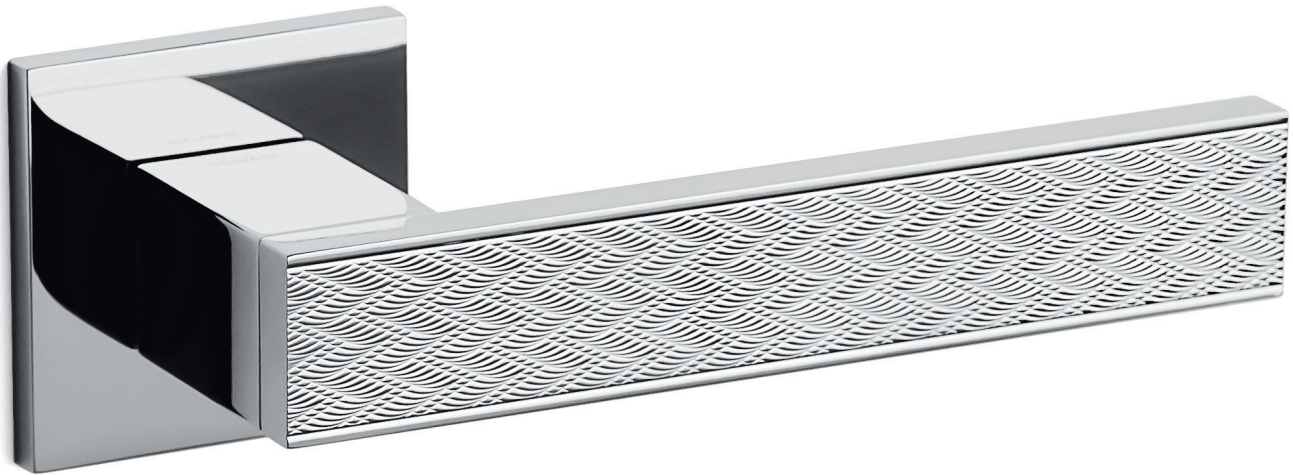


Diana Chevron

Studio Olivari 2016



M1DCB



rosetta bassa/low rosette



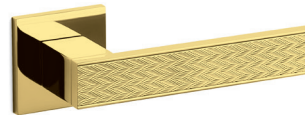
C1DC

K1DCB

ottone/brass



CR cromo lucido/bright chrome



ZL superoro lucido/supergold bright



NL supenichel lucido/supernickel bright

