

**Product data sheet**  
**Storage box 802.03.200**

# HEWI

 **R2H3E**

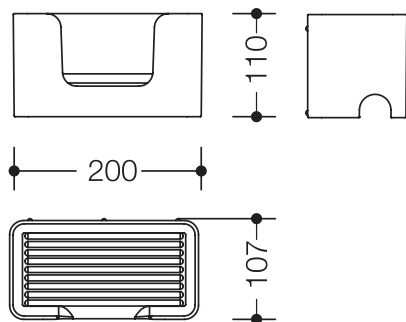


### Storage box 802.03.200

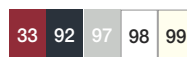
- rectangular container with high sides and water run-off
- opening to front
- anti-theft
- non-slip storage surface
- for integration in the HEWI bar system diameter 33 mm
- used to store accessories
- easy to clean surface
- 200 mm wide, 110 mm high, 107 mm deep
- made of high-quality polyamide, in the five HEWI colours 98 (signal white), 99 (pure white), 92 (anthracite grey), 97 (light grey) and 33 (ruby red)



### Dimensions in mm



### Colours



Polyamide

Technical information subject to alteration, 16.01.2013

HEWI Heinrich Wilke GmbH  
Postfach 1260  
D-34442 Bad Arolsen

Telefon: +49 5691 82-366  
Telefax: +49 5691 82-99366  
international@hewi.com  
www.hewi.com

HEWI (UK) Limited  
Scimitar Close  
Gillingham Business Park  
Gillingham Kent ME8 0RM

Phone +44 1634 377 688  
Fax + 44 1634 370612  
info@hewi.co.uk  
www.hewi.co.uk