

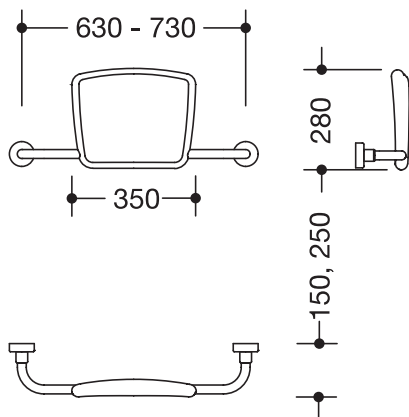


Back rest with rose fittings 802.50.07092

- ergonomically shaped back rest
- used for reclining
- easy to clean surface
- centre to centre 630 to 730 mm, 280 mm high, 150 or 250 mm deep, rose diameter 70 mm
- easy and covered assembly with the included corrosion-free HEWI fixing material
- back rest made of high-quality PUR, HEWI colour 92 (anthracite grey)
- bar in chrome-plated aluminium with powder coated features



Dimensions in mm



Surfaces/Colour

chrome	matt	92
--------	------	----

Alternative surfaces/colour

chrome	matt	97
--------	------	----

Technical information subject to alteration, 16.01.2013

HEWI Heinrich Wilke GmbH
 Postfach 1260
 D-34442 Bad Arolsen

Telefon: +49 5691 82-366
 Telefax: +49 5691 82-99366
 international@hewi.com
 www.hewi.com

HEWI (UK) Limited
 Scimitar Close
 Gillingham Business Park
 Gillingham Kent ME8 0RM

Phone +44 1634 377 688
 Fax + 44 1634 370612
 info@hewi.co.uk
 www.hewi.co.uk