

Product data sheet

Hinged support rail White edition without wall plate 802.50.W1180

HEWI

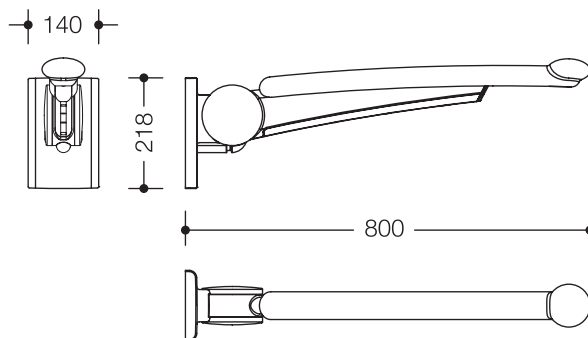


Hinged support rail White edition without wall plate 802.50.W1180

- to install on existing HEWI wall plate
- robust, single arm rail
- non-slip, ergonomic with perfectly matched coated grip
- for supporting, steadying and pulling oneself up
- loading capacity to DIN 18040
- easy to clean
- can be folded lightly up and down
- space saving
- projection 800 mm, 140 mm wide, wall plate 218 mm high
- rail length adjustable from 800 to 900 mm, in 50 mm steps
- rail height adjustable (+/- 50 mm)
- easy to install due to separate installation of HEWI wall plate and hinged support rail
- made of powder coated white aluminium with chrome-plated features
- grip pad made of high-quality PUR in the five HEWI colours 98 (signal white), 99 (pure white), 92 (anthracite grey), 97 (light grey) and 33 (ruby red)
- toilet roll holder, WC flushing mechanism and back rest can be retrofitted
- CE mark according to MPG (German Medical Devices Law)



Dimensions in mm



Surfaces/Colours

chrome	white	33	92	97	98	99
--------	-------	----	----	----	----	----

Grip pad

Alternative surfaces/colours

chrome	matt	33	92	97	98	99
--------	------	----	----	----	----	----

Grip pad

Technical information subject to alteration, 16.01.2013

HEWI Heinrich Wilke GmbH
Postfach 1260
D-34442 Bad Arolsen

Telefon: +49 5691 82-366
Telefax: +49 5691 82-99366
international@hewi.com
www.hewi.com

HEWI (UK) Limited
Scimitar Close
Gillingham Business Park
Gillingham Kent ME8 0RM

Phone +44 1634 377 688
Fax + 44 1634 370612
info@hewi.co.uk
www.hewi.co.uk