

R2H3E

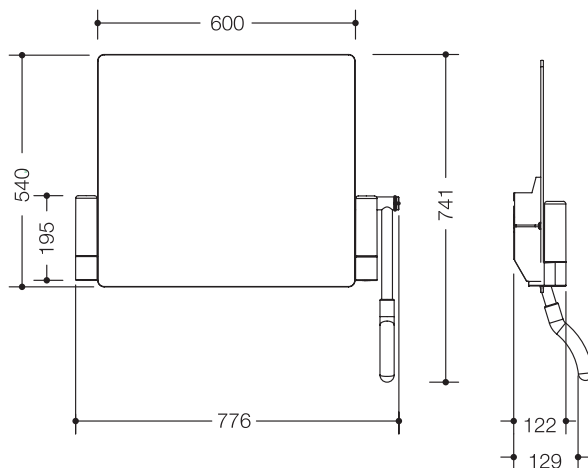


Adjustable mirror with lighting 802.01.200R

- rectangular plate glass mirror with rounded edge and cylindrical lights on the side
- can be comfortably tilted from 0 until 28° while seated
- with two integrated, energy-saving compact fluorescent lamps FSD 9 W, fitting G 23
- splashproof, protection type IP 44, protection class II
- grip right
- can be used in lefthand and righthand position
- 776 mm wide, 741 mm high, 122 mm deep
- lamp height 195 mm
- easy and enclosed assembly with the included corrosion-free HEWI fixing material
- grip bar in chrome-plated aluminium, axis in powder coated, matt aluminium
- with ergonomically shaped rail in polyamide in the five HEWI colours 98 (signal white), 99 (pure white), 92 (anthracite grey), 97 (light grey) and 33 (ruby red)



Dimensions in mm



Surfaces/Colours

chrome	matt	33	92	97	98	99
--------	------	----	----	----	----	----

Technical information subject to alteration, 16.01.2013

HEWI Heinrich Wilke GmbH
Postfach 1260
D-34442 Bad Arolsen

Telefon: +49 5691 82-366
Telefax: +49 5691 82-99366
international@hewi.com
www.hewi.com

HEWI (UK) Limited
Scimitar Close
Gillingham Business Park
Gillingham Kent ME8 0RM

Phone +44 1634 377 688
Fax + 44 1634 370612
info@hewi.co.uk
www.hewi.co.uk