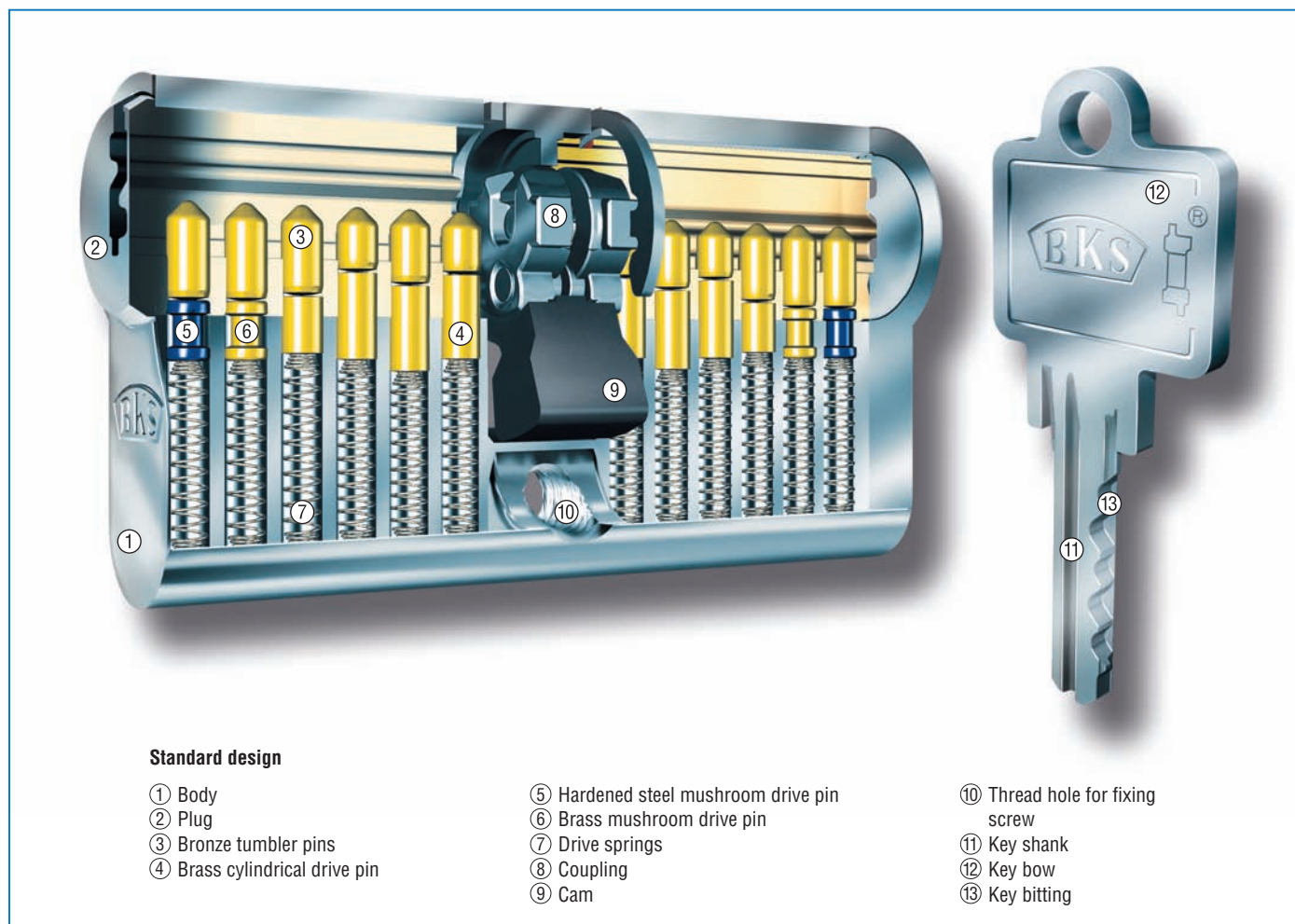


High-quality reversible key system with 6 locking pins in a row

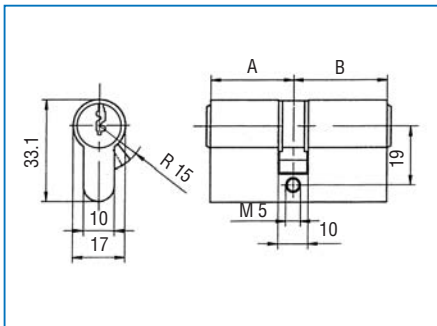


BKS locking cylinder series according to DIN EN 1303 and DIN 18252

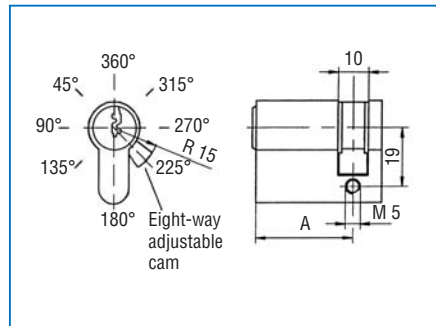
Reversible key technology; 6 pin profile cylinder with reversible key system, with paracentric key profile, **single differ and keyed alike locking** with 3 brass nickel plated keys. **Registered differ and suited applications with security card**, for suited applications number of keys in nickel-bronze variable according to request. Brass cylinder body finished matt nickel or satin brass, without escutcheons, with nickel plated steel fixing screw M5 x 80 mm.

Overview of cylinder variants

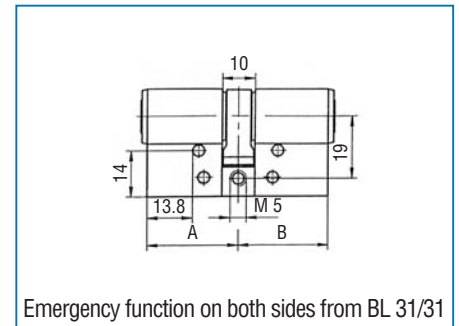
Double cylinder 5000



Half cylinder 5001

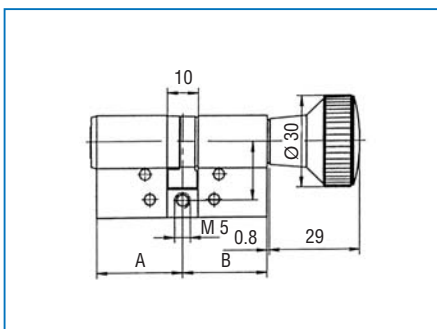


Double cylinder 5012

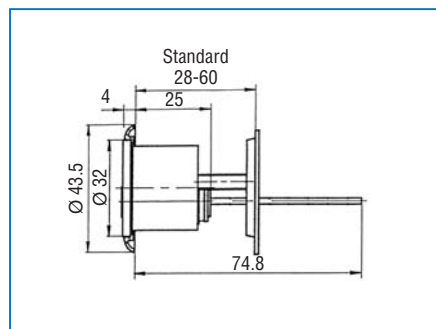


Emergency function on both sides from BL 31/31

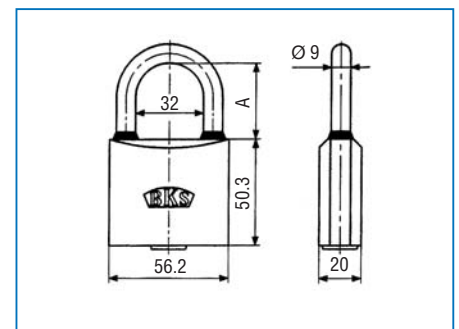
Knob cylinder 5006



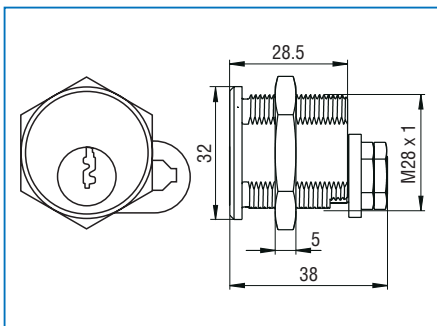
Rim cylinder 5009



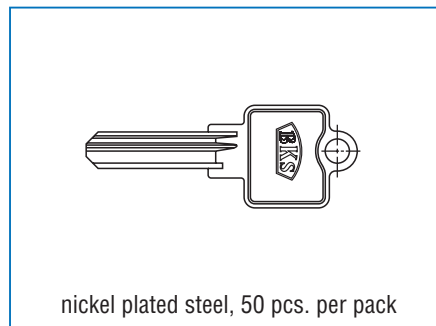
Brass padlock 5028



Cam cylinder 5066



Blank key 5036



nickel plated steel, 50 pcs. per pack

Options and advice:

Available length and emergency function

From BL 31/31; emergency function on both sides as an option. The emergency function on double cylinders allows the cylinder to be operated even if a key is inserted on the other side of the cylinder.

Drill protection

Available as an option: certificated drill protection versions BSKA (two pairs of electro-plated hardened steel pins on each side of cylinder) and BSKB (outside A with two pairs of electro-plated hardened steel pins and two hard metal drill protection pins each in plug and body).

Drill and withdrawal protection

Protection against cylinder plug being withdrawn and drilled (BZKB). Outside cylinder plug and outside of cylinder body with drill protection BSKB. Body security pin to secure a broken cylinder behind backplate of security furniture (optional).

SKG approval

Double, half and knob cylinders with certification available on request.