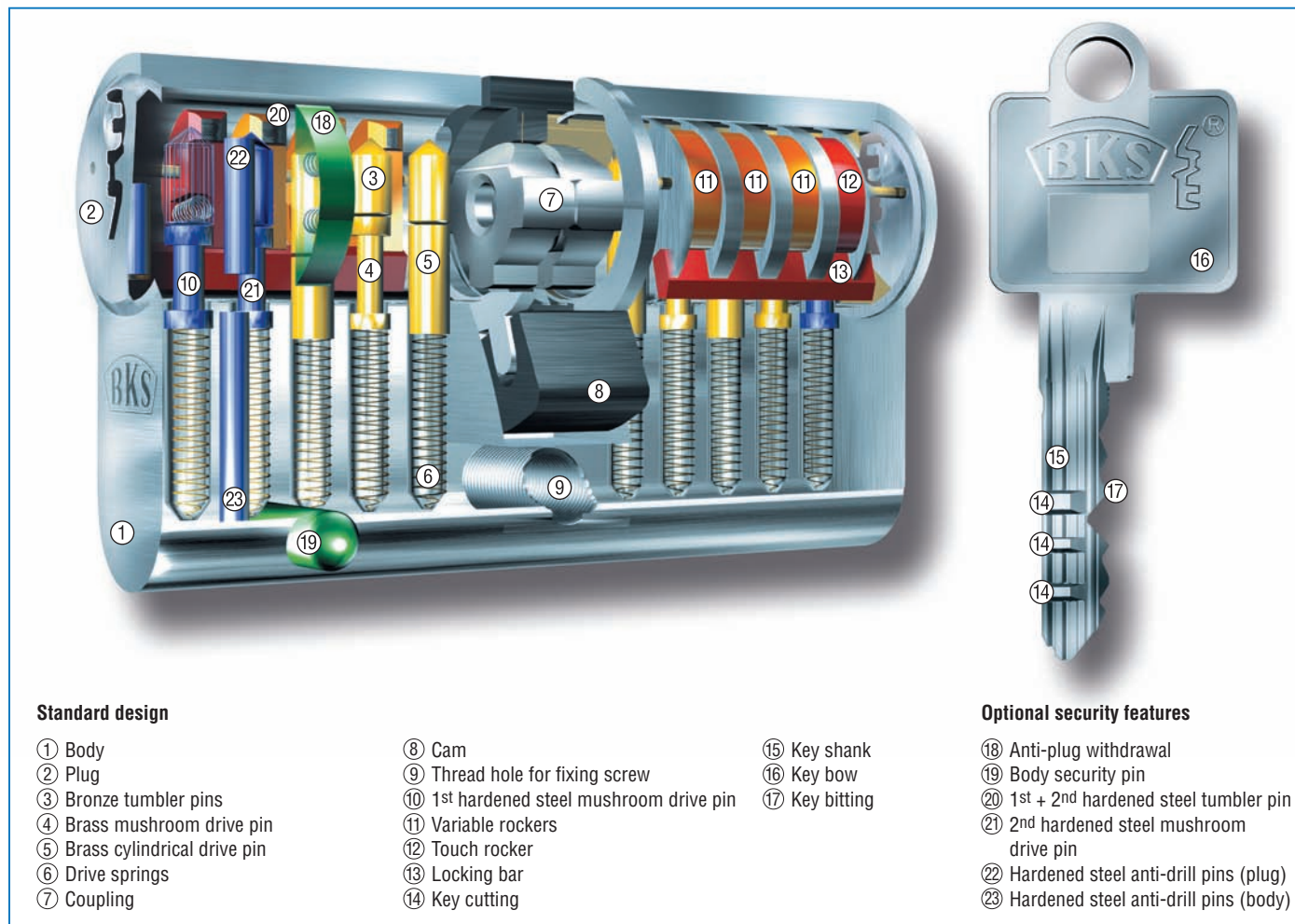


Two security systems combined in one locking cylinder



**Standard design**

- ① Body
- ② Plug
- ③ Bronze tumbler pins
- ④ Brass mushroom drive pin
- ⑤ Brass cylindrical drive pin
- ⑥ Drive springs
- ⑦ Coupling

- ⑧ Cam
- ⑨ Thread hole for fixing screw
- ⑩ 1<sup>st</sup> hardened steel mushroom drive pin
- ⑪ Variable rockers
- ⑫ Touch rocker
- ⑬ Locking bar
- ⑭ Key cutting

**Optional security features**

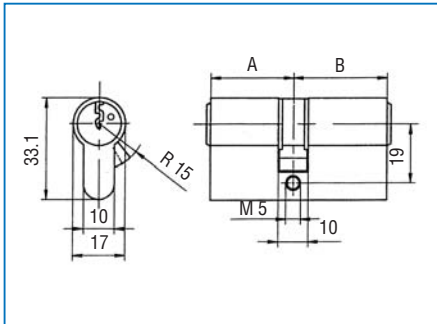
- ⑮ Key shank
- ⑯ Key bow
- ⑰ Key bitting
- ⑱ Anti-plug withdrawal
- ⑲ Body security pin
- ⑳ 1<sup>st</sup> + 2<sup>nd</sup> hardened steel tumbler pin
- ㉑ 2<sup>nd</sup> hardened steel mushroom drive pin
- ㉒ Hardened steel anti-drill pins (plug)
- ㉓ Hardened steel anti-drill pins (body)

## BKS locking cylinder series according to DIN EN 1303 and DIN 18252

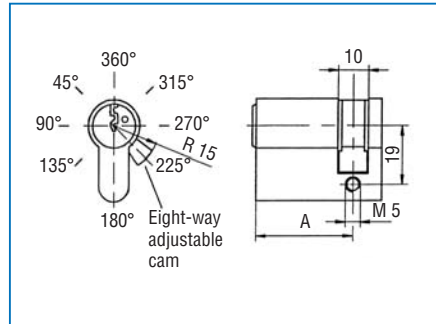
5 or 6 pin profiled cylinder for **registered differ, keyed alike locking and suited applications, with security card**, with additional side bar locking and 4 sprung locking elements within cylinder body. Brass cylinder body nickel plated, satin bronzed, dark browned or polished brass, with 3 keys, with M5 x 80 mm nickel plated steel fixing screw, without escutcheons.

## Overview of cylinder variants

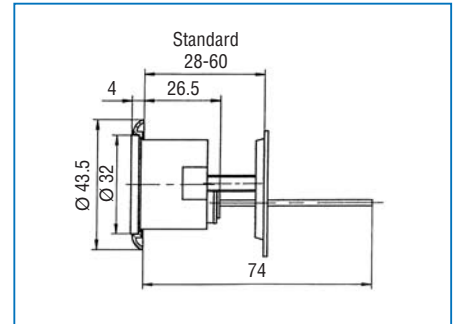
Double cylinder 3300



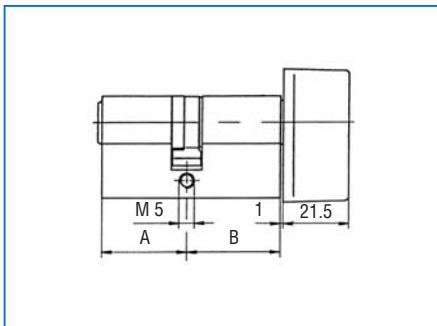
Half cylinder 3301



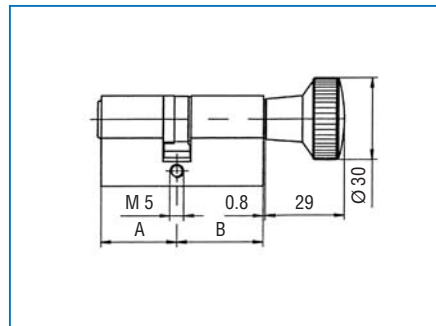
Rim cylinder 3319



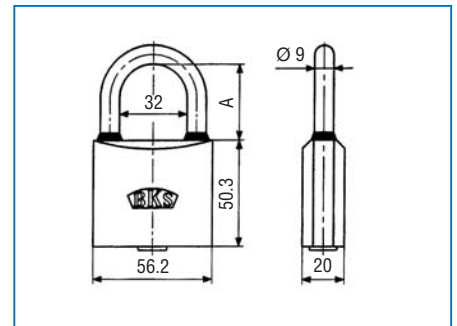
Knob cylinder 3304



Knob cylinder 3306



Brass padlock 3328



Other versions e.g. cam cylinder, rim locks and special cylinders are available.

### Options and advice:

**Emergency function** Optional from BL 31/31 on both sides, from BL 27/31 on one side. The emergency function on double cylinders allows the cylinder to be operated even if a key is inserted on the other side of the cylinder.

**Drill protection** Available as an option: certificated drill protection versions BSKA (two pairs of electro-plated hardened steel pins on each side of cylinder) and BSKB (outside A with two pairs of electro-plated hardened steel pins and two hard metal drill protection pins each in plug and body).

**Drill and withdrawal protection** Protection against cylinder plug being withdrawn (BZKB). Outside plug and outside of cylinder body with hardened steel anti-drill pins and body security pin to secure a broken cylinder behind the backplate of the security furniture (optional).

**VdS approval** Double, half and knob cylinders with VdS certification available on request. (VdS = Association of German property insurers)

**SKG approval** Double, half and knob cylinders with and certification available on request.

Combinations with cylinder series 31 possible.

Mounted and pre-mounted cylinders with customer specific profiles available.