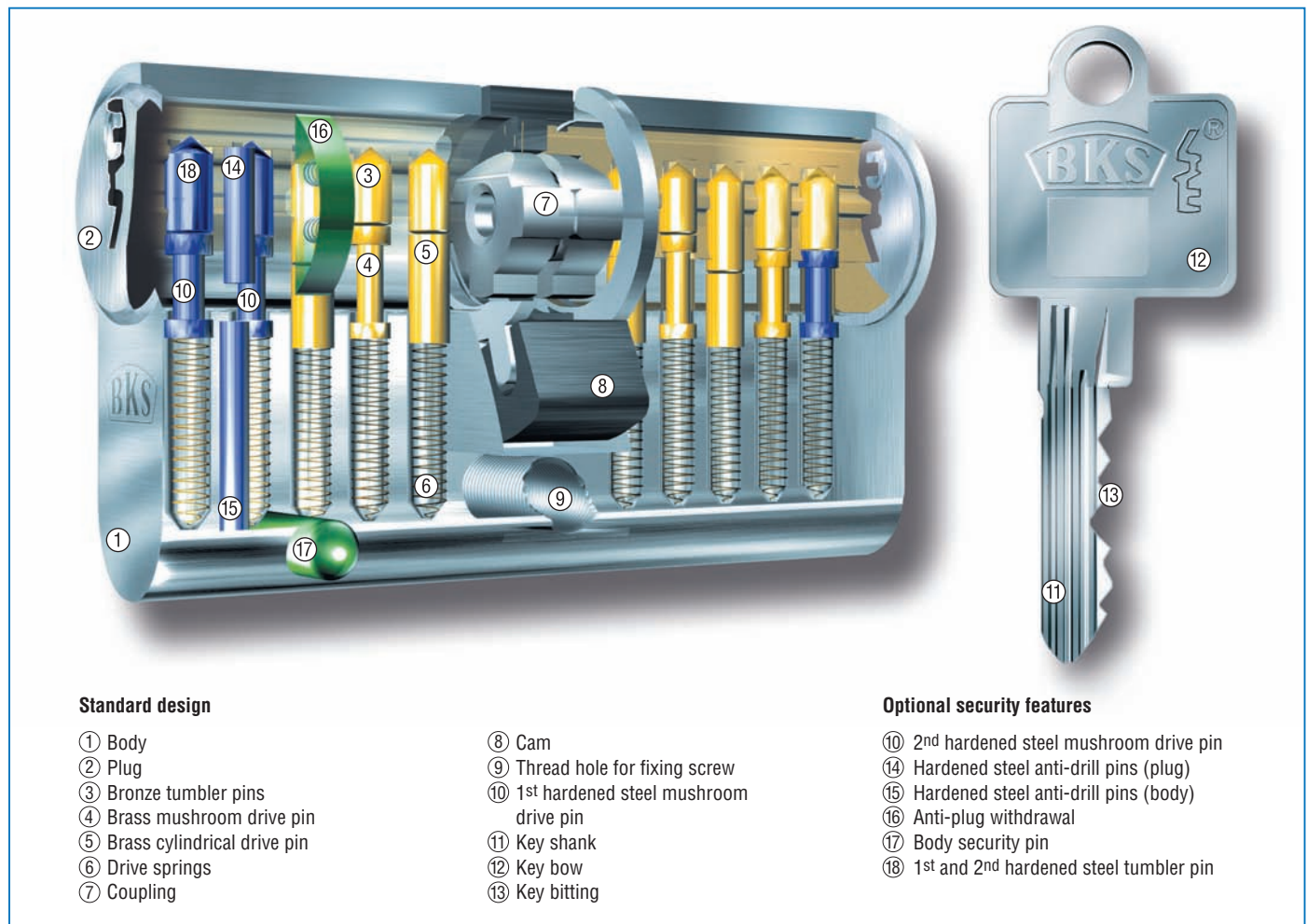


Comprehensive cylinder range, especially for locking suites



Standard design

- ① Body
- ② Plug
- ③ Bronze tumbler pins
- ④ Brass mushroom drive pin
- ⑤ Brass cylindrical drive pin
- ⑥ Drive springs
- ⑦ Coupling

- ⑧ Cam
- ⑨ Thread hole for fixing screw
- ⑩ 1st hardened steel mushroom drive pin
- ⑪ Key shank
- ⑫ Key bow
- ⑬ Key bitting

Optional security features

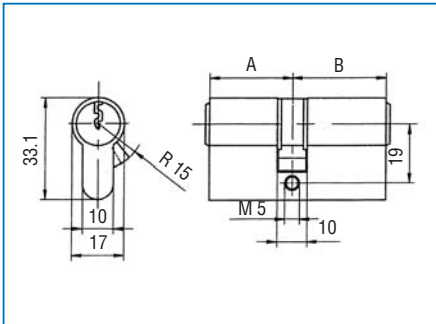
- ⑩ 2nd hardened steel mushroom drive pin
- ⑭ Hardened steel anti-drill pins (plug)
- ⑮ Hardened steel anti-drill pins (body)
- ⑯ Anti-plug withdrawal
- ⑰ Body security pin
- ⑱ 1st and 2nd hardened steel tumbler pin

BKS locking cylinder series according to DIN EN 1303 and DIN 18252

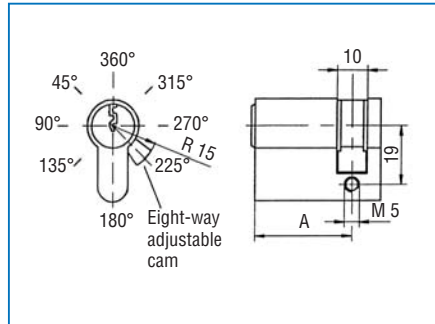
5 or 6 pin cylinder for **single differ, keyed alike locking; registered differ and suited applications (with security card)**. Brass cylinder body nickel plated, satin bronzed, dark-browned or polished brass, with 3 keys and M5 x 80 mm nickel plated steel fixing screw, without escutcheons.

Overview of cylinder variants

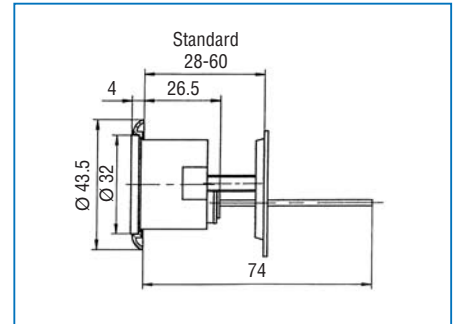
Double cylinder 3100



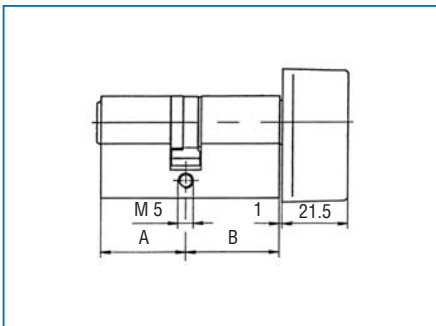
Half cylinder 3101



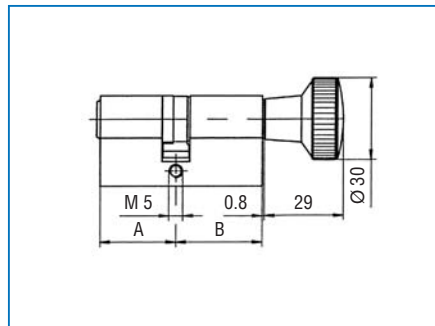
Rim cylinder 1309



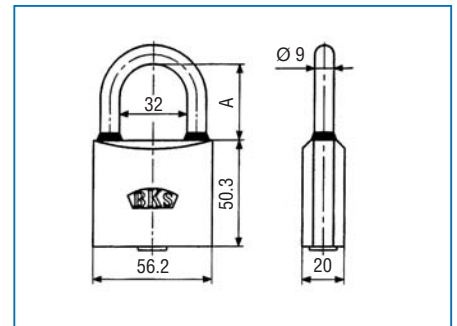
Knob cylinder 3104



Knob cylinder 3106



Brass padlock 0778



Other versions e.g. cam cylinders, rim locks and special cylinders are available.

Options and advice:

Emergency function Optional from BL 31/31 on both sides, from BL 27/31 on one side. The emergency function on double cylinders allows the cylinder to be operated even if a key is inserted on the other side of the cylinder.

Drill protection Available as an option: certificated drill protection versions BSKA (two pairs of electro-plated hardened steel pins on each side of cylinder) and BSKB (outside A with two pairs of electro-plated hardened steel pins and two hard metal drill protection pins each in plug and body).

Drill and withdrawal protection Protection against cylinder plug being withdrawn and drilled (BZKB). Outside cylinder plug and outside of cylinder body with hardened steel anti-drill pins and body security pin to secure a broken cylinder behind the backplate of the security furniture (optional).

VdS approval Double, half and knob cylinders with VdS certification available on request. (VdS = Association of German property insurers)

SKG approval Double, half and knob cylinders with  and  certification available on request.

Combinations with cylinder series 33 SL possible.

Mounted and pre-mounted cylinders with customer specific profiles available.